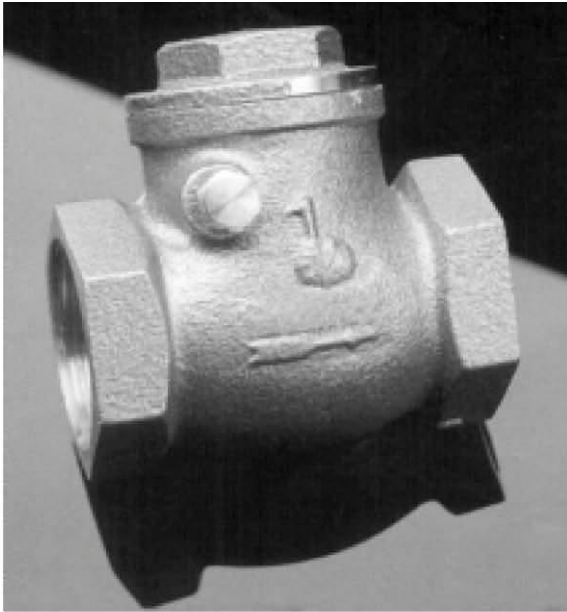


BRONZE SWING CHECK VALVE



Standards Mark: AS1628
Licence No: 1893

236A

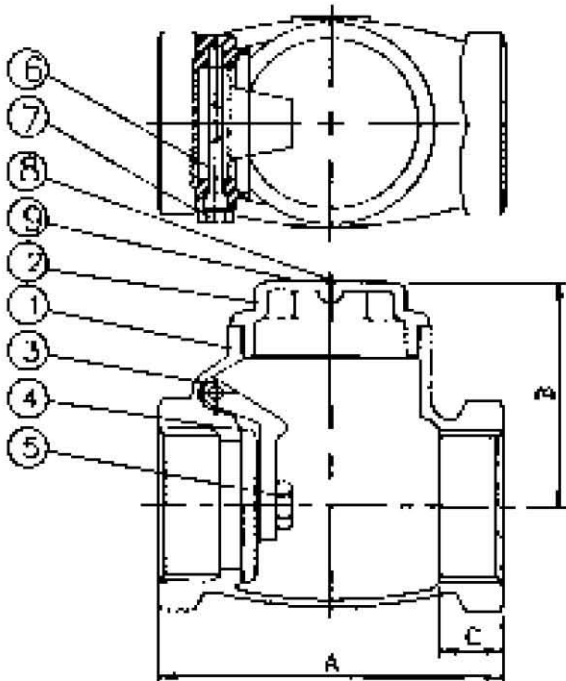
Australian Industry: Designed and manufactured for Australian Industry. Manufactured and fully complying with the Australian Standard AS1628 .

SAA. 'Standards Mark': The National Certification of Plumbing and Drainage Products Scheme requires that plumbing and drainage installations contain authorised products only.

The Fig 236A Swing Check Valve is in full compliance with MP52.

Materials: All materials are dezincification resistant as required by AS1628.

Applications: Fig 236A is very suitable for use in conjunction with gate valves. Reliable performance in heating hot water services.



Component Materials

1	Body	Cast Bronze	AS1565-C83600
2	Cap	Cast Bronze	AS1565-C83600
3	Hinge	Cast Bronze	AS1565-C83600
4	Disc	Cast Bronze	AS1565-C83600
5	Nut	Dezinc Brass	AS352
6	Pin	Dezinc Brass	AS352
7	Screw	Dezinc Brass	AS352
8	Rivet	S/Steel 304	AS2837
9	Name Plate	Aluminium	

Note 1: End connections screwed female pipe threads to AS1722. Part 1, Series 'RP'. (BSP Parallel)

Working Pressure

Working Pressure Non-Shock		Hydrostatic Test Pressure	
Saturated Steam	Cold Water Oil, Gas	Shell	Seat
860 kPa	2100 kPa	3150 kPa	2100 kPa

Dimensions

Unit: mm								
Size	15	20	25	32	40	50	65	80
A	66	70	83	98	108	128	160	180
B	45	49	58	65	73	89	108	123

SYDNEY

Tel: (02) 9877 8101
 Fax: (02) 9804 6282
aps.syd@powerflo.com.au

BRISBANE

Tel: (07) 3897 8100
 Fax: (07) 3293 4261
aps.qld@powerflo.com.au

PERTH

Tel: (08) 9456 9600
 Fax: (08) 9350 6644
aps.wa@powerflo.com.au

MELBOURNE

Clayton VIC 3168
 Tel: (03) 8541 7888
 Fax: (03) 8541 7899
aps.vic@powerflo.com.au

NEW ZEALAND

Tel: (64 9) 525 5454
 Fax: (64 9) 579 3106
 Mob: (64 2) 176 4053
salesnz@powerflo.co.nz



AUSTRAL - POWERFLO
 SOLUTIONS

Website: www.austral-powerflo.com.au

Toll Free: 1300 658 701