

Austral Cast Iron Strainer

Fig 805



“Y” Pattern Stainless Steel Screen Bolted Cover Flanged Ends

Standard: The dimensions and drilling of end flanges conform to AS2129 Table 'D' or 'E'. The flanges are flat faced and smooth finished.

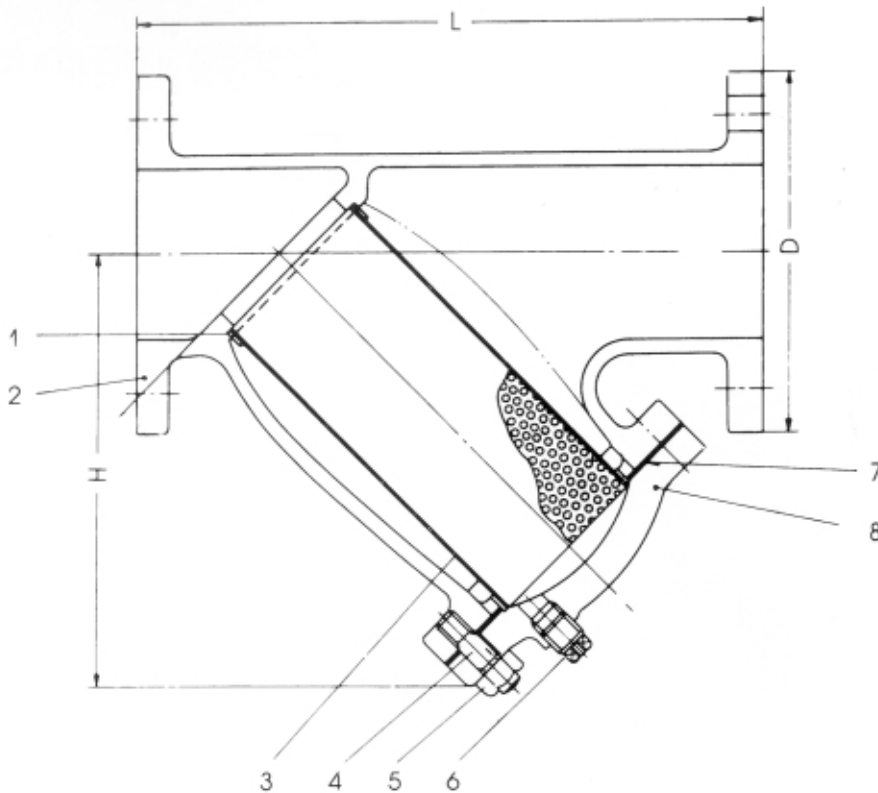
Flanges conform to AS2129 Table C, D or E. ANSI 125 Class available on request.

- **Body and Cover:** Both the body and the cover are made of grey cast iron, and designed with generous radii and ample wall thickness, which assures high safety to the rated service and additional reinforcement to strains in piping. Cover is connected to the body with stud bolts, and the internal parts are readily accessible and easily exchangeable. In all sizes, the blow off connection is provided in the cover, which permits easy removal of foreign matter accumulated in the screen pocket.
- **Screen:** The screen is made of stainless steel and rolled in the shape of a cylinder to make a large screening area. The ends are both reinforced - one end just fits into a recess of the body wall, and the other is retained by the cover, which keeps the screen from loosening in service. Normally, the screens are furnished with perforations 1.5mm in diameter for 150mm and smaller strainers; 2.0mm for larger sizes.
- **Drain Plug:** A malleable iron drain plug, size 10-15mm, is fitted as the blow-down connection.

Working Pressure

| Working Pressure Non-Shock (kPa) | Hydrostatic Test Pressure (kPa) | |
|--|---------------------------------------|------|
| Cold water oil-gas-air | Shell | Seat |
| 1400 | 2100 | 1400 |

Austral Cast Iron Strainer Fig 805



Nomenclature & Materials

| | | |
|-----------------------|--------------------------|---------------------|
| 1 Support ring | Stainless steel | ASTM A182, Grade F6 |
| 2 Body | Cast iron | ASTM A126, Class B |
| 3 Screen | Stainless steel | ASTM A167, Type 304 |
| 4 Cover stud bolt | Steel* | ASTM A307, Grade A |
| 5 Cover stud bolt nut | Steel* | ASTM A307, Grade A |
| 6 Drain plug | Malleable iron | ASTM A338 |
| 7 Gasket | Non-Asbestos joint sheet | |
| 8 Cover | Cast iron | ASTM A126, Class B |

Dimensions

Unit: mm

| | | | | | | | | | |
|-------|-----|-----|-----|-----|-----|-----|-----|-----|-----|
| Size: | 50 | 65 | 80 | 100 | 125 | 150 | 200 | 250 | 300 |
| L | 220 | 270 | 290 | 350 | 390 | 440 | 540 | 660 | 780 |
| H | 157 | 194 | 210 | 256 | 318 | 364 | 441 | 530 | 598 |
| D | 150 | 165 | 185 | 215 | 250 | 280 | 335 | 405 | 455 |
| Kgs | 9 | 16 | 19 | 26 | 39 | 53 | 105 | 164 | 260 |

805 12/99

SYDNEY

Tel: (02) 9877 8101
Fax: (02) 9804 6282
aps.syd@powerflo.com.au

BRISBANE

Tel: (07) 3897 8100
Fax: (07) 3293 4261
aps.qld@powerflo.com.au

PERTH

Tel: (08) 9456 9600
Fax: (08) 9350 6644
aps.wa@powerflo.com.au

MELBOURNE

Clayton VIC 3168
Tel: (03) 8541 7888
Fax: (03) 8541 7899
aps.vic@powerflo.com.au

NEW ZEALAND

Tel: (64 9) 525 5454
Fax: (64 9) 579 3106
Mob: (64 2) 176 4053
salesnz@powerflo.co.nz



AUSTRAL - POWERFLO
SOLUTIONS

Website: www.austral-powerflo.com.au

Toll Free: 1300 658 701