

# Austral Bar Stock Needle Valve

- Carbon Steel Body Fig.KS6000CS
- Stainless Steel Body Fig.KS6000SS
- End Connections Screwed BSPT (Taper)
- Metal To Metal Seat
- Screw In Bonnet
- T-Handle



## Applications:

For instrument lines, pneumatic and hydraulic control systems, gauges etc. high pressure and high temperature services.

## Dimensions

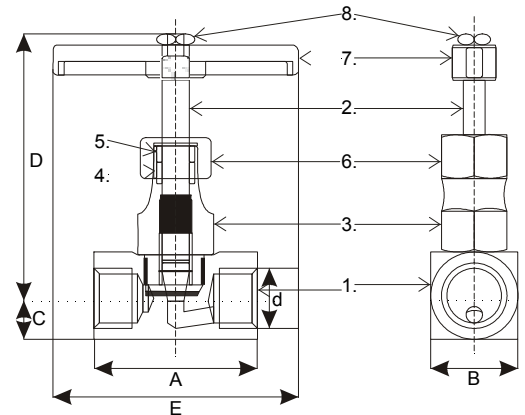
Size	A	B	C	D	E	d	NW	
	mm	mm	mm	mm	mm		KG	
1/4"	50.8	25.4	12.7	89.0	65.0	1/4"	BSPT (taper) or NPT (ANSIB2.1)	0.375
3/8"	50.8	25.4	12.7	89.0	65.0	3/8"		0.355
1/2"	63.5	31.7	15.75	101.0	90.0	1/2"		0.62
3/4"	75.0	38.0	19.0	120.0	100.0	3/4"		1.02
1"	100.0	50.8	25.4	140.0	120.0	1"		2.23

## Bill of Materials

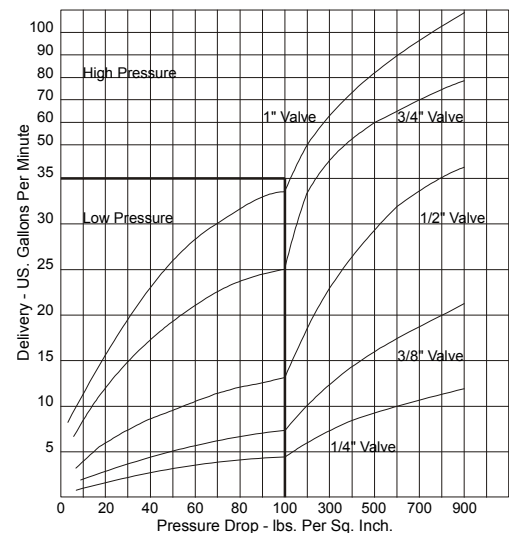
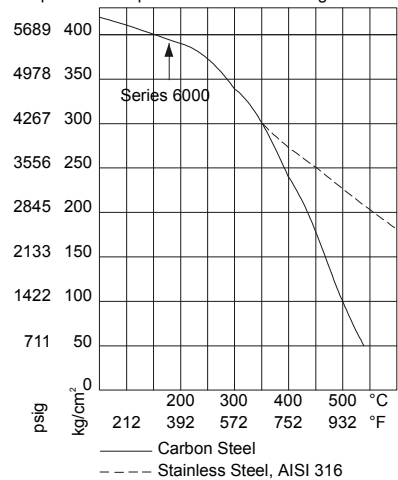
No	Qty	Part Name	Material	
			AISI 316	Carbon Steel
1	1	Body	316	CS (1)
2	1	Stem	316	316
3	1	Bonnet	316	CS
4	1	Packing	Grafoil (2)	
5	1	Gland	316	CS
6	1	Pack Nut	316	CS
7	1	Handle	Zamak Die Cast	
8	1	Nut	304	304

## Notes:

1. Finish with parkerize.
2. Grafoil packing - Maximum temperature: 600°F (315°C)



Operation Temperature & Pressure Diagram



Working		Hydrostatic Test Pressure	
Pressure	Temp.	Body	Seat
6,000 psi	200°F	10,000 psi	6,000 psi
42 MPa	93°C	70 MPa	42 MPa

LKS6000 08/09

SYDNEY

BRISBANE

PERTH

MELBOURNE

NEW ZEALAND

Tel: (64 9) 525 5454

Fax: (64 9) 579 3106

Mob: (64 2) 176 4053

Email:

salesnz@powerflo.co.nz

Email:

aps.nsw@austral-powerflo.com.au

Email:

aps.qld@powerflo.com.au

Email:

aps.wa@powerflo.com.au

Email:

aps.vic@powerflo.com.au

**TOLL FREE 1300 658 701**



**AUSTRAL - POWERFLO SOLUTIONS**

www.austral-powerflo.com.au