

Type 1008S Stainless Case Gauge with Stainless Steel System



FEATURES

- Patented PowerFlex™ movement
- All stainless steel welded construction
- True Zero™ pointer indication
- NEW ventable plug
- NEW MSL helium leak tested to 1×10^{-6} ATM -cc/sec
- RoHS compliant
- CRN approved
- 1 year limited warranty
- Exceeds ASME B40.100 grade B
- Meets EN837-1 upon request for 63mm dial size (order variation "XER")

Ashcroft is pleased to reintroduce the 1008S pressure gauge. This gauge has been upgraded with many new features outlined above while maintaining the tried and true performance and quality you have come to expect.

Type 1008S gauges provide significant features and benefits. New features include a ventable plug that can be sealed or vented depending on your environment.

The combination of features including the patented PowerFlex™ movement and optional PLUS!™ Performance dampening system in the Ashcroft 1008S gauge is the finest gauge technology for vibration, shock and pulsation applications. Available in pressure ranges from vacuum to 15,000 psi, including compound and metric ranges.

PRODUCT SPECIFICATIONS

Ashcroft Type No.:	1008S
Sizes:	63mm, 100mm
Case:	304SS
Ring:	304SS crimped
Window:	Polycarbonate
Dial:	Black figures on white background, aluminum
Pointer:	Friction adjust, black, aluminum
Bourdon Tube:	316L stainless steel C-Shaped (vacuum-600 psi and compound) Helical (1000 psi-15000 psi)
Socket:	316L stainless steel
Movement:	300 series stainless steel, PowerFlex, polyester segment, overload/underload stops
Connections:	1/8 and 1/4 NPT, lower or lower back 1/2 NPT lower (100mm) only
Ranges:	Vac-15000 psi and compound
Accuracy:	1.6% full scale ⁽¹⁾
Fill Plug:	Ventable
Protection:	Nema 4X / IP65 plug sealed Nema 3 / IP54 plug vented
Ambient Temperature Limitations:	-40°F to 200°F dry +20°F to 150°F glycerin filled -40°F to 150°F silicone filled (based on standard polycarbonate window)
OPTIONAL FEATURES	
Liquid fill:	Glycerin, silicone, halocarbon (includes throttle plug)
Dampening:	PLUS!™ Performance (LL) (includes throttle plug)
Connections:	Metric and SAE on request
Mounting:	U-clamp (UC), Front flange (FF),
Dials:	Receiver ranges, refrigerant ranges; custom dials

⁽¹⁾ When these gauges are liquid filled the total gauge accuracy may be as much as 2.0%

HOW TO ORDER (Typical example)

63 1008 S (L) 02L XXX 100#

Dial Size: 63mm (63), 100mm (10) _____

Case Type: 1008 _____

Tube and Socket Material: 316L SS _____

Liquid Filled: (glycerin) leave blank if dry _____

Connection Size: 1/8 (01), 1/4 (02), 1/2 (04) 100mm lower only _____

Connection Location: Lower (L), Lower Back (B) _____

Options: _____

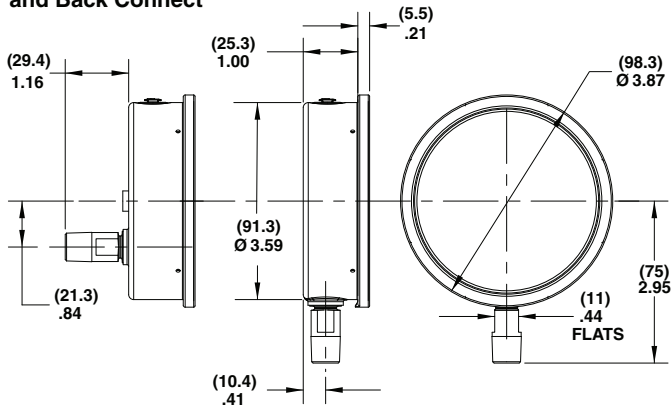
Range: 0/100 psi _____

Type 1008S Stainless Case Gauge with Stainless Steel System

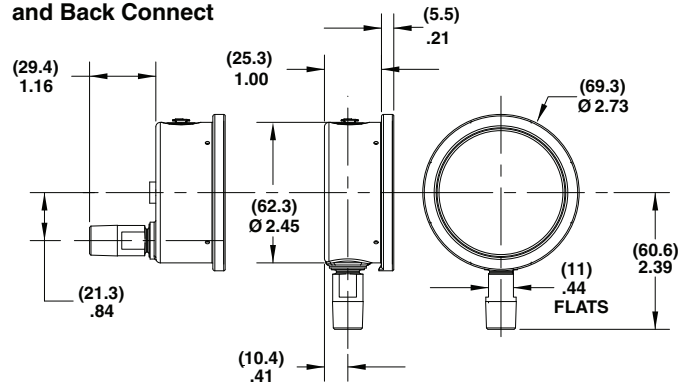
DIMENSIONS

All dimensions in brackets () are millimeters.

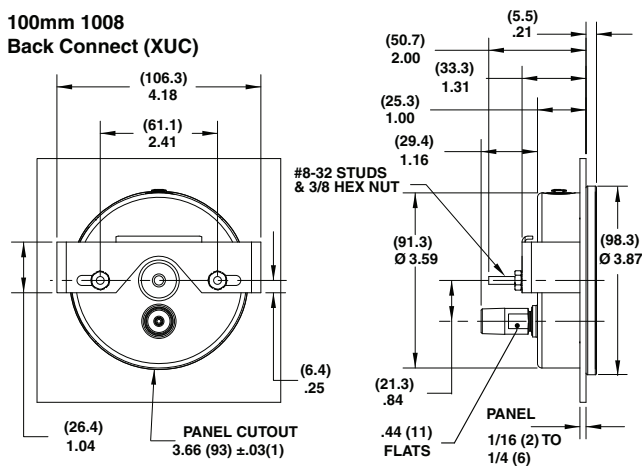
100mm 1008 Lower and Back Connect



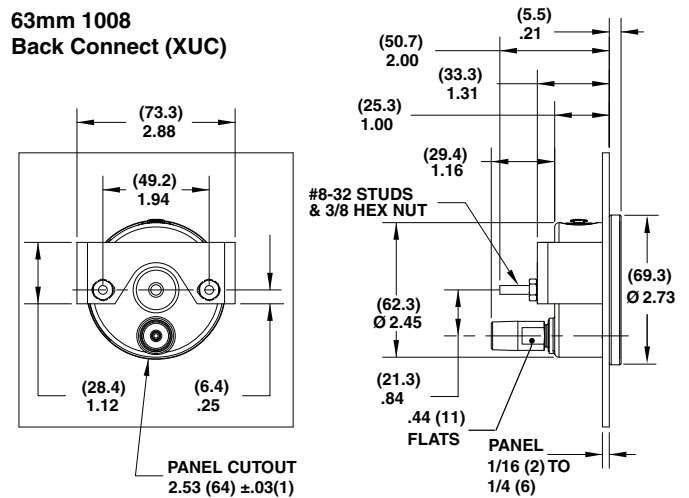
63mm 1008 Lower and Back Connect



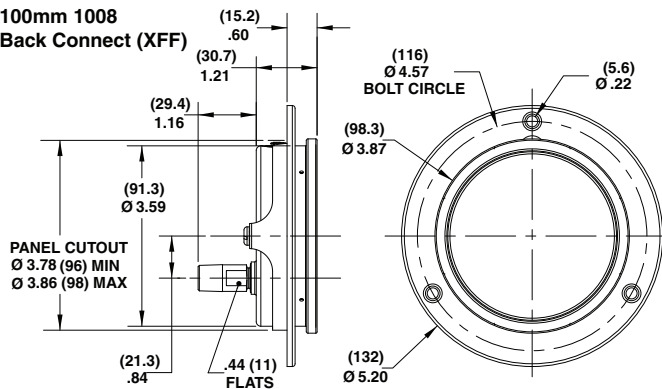
100mm 1008 Back Connect (XUC)



63mm 1008 Back Connect (XUC)



100mm 1008 Back Connect (XFF)



63mm 1008 Back Connect (XFF)

