



ANSI gate valves forged steel

Bolted bonnet

Flange end

**Class 150 – 600
1/2” – 2”**

Applications

- Refineries, power stations, process and general industry
- For water, steam, gas, oil, and other media
- Other applications on request

Operating Data

- Maximum allowable pressure 105 bar
- Maximum allowable temperature 816°C

Materials

- ASTM A105 up to 800°F (425°C)
- ASTM A182 F304 up to 1500°F (816°C)
- ASTM A182 F316 up to 1500°F (816°C)

Trim Materials

- Trim 1 13Cr/13Cr
- Trim 2 304/304
- Trim 5 Stellite/Stellite
- Trim 8 Stellite/13Cr
- Trim 10 316/316

Design

- Design per API 602
- Pressure/temperature rating per ASME B16.34
- End-end dimension per ASME B16.10
- Flange dimensions per ASME B16.5
- Testing per API 598
- Bolted bonnet
- Outside screw and yoke
- Not rotating stem

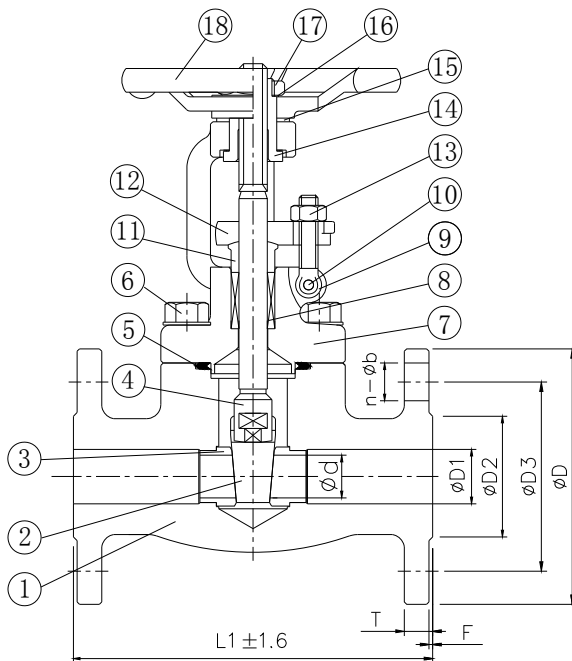
Variants on request

- Other material and trim
- Butt weld execution

On all enquiries/orders please specify

1. Valve type
2. ANSI pressure class
3. Size
4. Design pressure
5. Design temperature
6. Differential pressure-shut off
7. Flow medium
8. Material of construction
9. Trim material (API trim number)
10. Type of end connection
11. Variants

Dimension



150 Class

NPS	L1	ød	øD1	øD2	øD3	øD	T	F	n-øb
½"	108	10	15	35	60.5	89	11.5	1.6	4-16
¾"	117	13	20	43	70	98.5	13	1.6	4-16
1"	127	18	25	51	79.5	108	14.5	1.6	4-16
1¼"	140	24	32	64	89	117	16	1.6	4-16
1½"	165	29	40	73	98.5	127	17.5	1.6	4-16
2"	178	36.5	50	92	120.5	152	19.5	1.6	4-19

300 Class

NPS	L1	ød	øD1	øD2	øD3	øD	T	F	n-øb
½"	140	10	15	35	66.5	95	14.5	1.6	4-16
¾"	152	13	20	43	82.5	117	16	1.6	4-19
1"	165	18	25	51	89	124	18	1.6	4-19
1¼"	178	24	32	63	98.5	133	19	1.6	4-19
1½"	190	29	40	73	114.5	156	21	1.6	4-22.5
2"	216	36.5	50	92	127	165	22.5	1.6	8-19

600 Class

NPS	L1	ød	øD1	øD2	øD3	øD	T	F	n-øb
½"	165	10	15	35	66.5	95	14.5	6.4	4-16
¾"	190	13	20	43	82.5	118	16	6.4	4-19
1"	216	18	25	51	89	124	18	6.4	4-19
1¼"	229	24	32	64	98.5	133	21	6.4	4-19
1½"	241	29	40	73	114.5	156	22.5	6.4	4-22
2"	292	36.5	50	92	127	165	25.5	6.4	8-19

Valve Materials

Part No.	Part Name	A105	F304	F316
1	Body	A105	A182-F304	A182-F316
2	Wedge	A276-420	A276-304	A276-316
3	Seat Ring	A276-410+STL6	A276-304+STL6	A276-316+STL6
4	Stem	A276-410	A276-304	A276-316
5	Gasket	304+Graphite	316+Graphite	316+Graphite
6	Bonnet Bolt	A193-B7	A193-B8	A193-B8M
7	Bonnet	A105	A182-F304	A182-F316
8	Packing	Flexible Graphite	Flexible Graphite	Flexible Graphite
9	Gland Bolt	A193-410	A193-304	A193-304
10	Gland Bolt Pin	A276-410	A276-304	A276-304
11	Packing Flange	A276-410	A276-304	A276-304
12	Gland Flange	A105	304	304
13	Nut	A194-2H	A194-8	A194-8M
14	Stem Nut		A276-410	
15	Washer		A276-410	
16	Nameplate		Stainless Steel	
17	Hand Wheel Nut		A194-2H	
18	Hand Wheel		A197	

Note. At temperatures above 538°C use only when the carbon content is 0.04% or higher.

Trim Materials

Part Name	Trim 1 13Cr/13Cr	Trim 2 304/304	Trim 5 Stellite/Stellite	Trim 8 Stellite/13Cr	Trim 10 316/316
Disc Face	13Cr	304 Stainless Steel	Stellite	13Cr	316 Stainless Steel
Seat Ring Face	13Cr	304 Stainless Steel	Stellite	Stellite	316 Stainless Steel