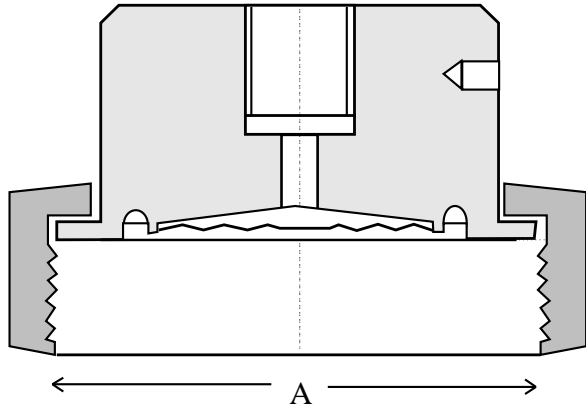


FICO DIAPHRAGM SEALS

TYPE: BS - Flat Seat Design - Sanitary Service



The model BS Flat Seat Diaphragm pressure seals utilise a BSM flat seat (lip removed) fitting as the process connection, they are available as a female connection including BSM nut, or as a male BSM threaded connection. They have application in pharmaceutical, dairy, food processing, biotechnology and filtration markets where clean, sanitary surfaces are required and easily removable instruments are a prime concern. This design is very suitable where quick connection is required for periodic cleaning of process piping in dairy industry, breweries, distilleries, wineries and citrus juice production.

FICO Diaphragm pressure seals can be used in conjunction with pressure transmitters, gauges, switches and most other pressure instruments.

Length (mm)	Size (mm)		
	38 (1½")	50 (2")	76 (3")
A	54.0	66.6	92.0
B	28.0	31.8	31.8

Pressure Rating for 38mm -70 to 3500kPa @ 25°C
 Pressure Rating for 50mm & 76mm:
 -70 to 2500kPa @ 25°C
 (Higher ranges on application)

* Drawing schematic only. Design subject to change without notice.

How To Order: BS050 KP S Y S FG

Table A

Style - BSM Flat Seat	Code
38mm (1½")	BS038
50mm (2")	BS050*
76mm (3")	BS076

Table B

Instrument Connection	Code
3/8" BSPP	KP*
1/2" NPT	04

Table C

Top Housing	Code
316s/s	S*

Table D

Bottom Housing	Code
Without female nut	O
With female nut	Y*
Male type	M

Table E

Diaphragm	Code
316L Hast. C	S* H

Table F

Fill Fluid	Code
Food Grade Silicone	FG*
High Temperature Silicone	SL HS

* Denotes standard type.

NOTE: 316 stainless steel armoured capillary available - specify length and instrument connection

CAUTION! Correct selection, fitting, filling, and testing of the combined Diaphragm Seal and pressure instrument is vital to achieve optimum performance. APS provide a complete filling, fitting and test service and can fit diaphragm seals to your instrument, free issued, or supply most pressure instruments required. Contact your closest APS branch for application assistance.

Manufactured by Austral-Powerflo Solutions Pty Ltd

NATIONAL HOTLINE 1300 658 701

SYDNEY • BRISBANE • MELBOURNE • PERTH



AUSTRAL - POWERFLO
SOLUTIONS