

RC200

Pneumatic Actuators DA – Double acting

TORQUE Nm

4 bar

| Type | ↔ | | |
|----------|------|------|------|
| | 0° | 50° | 90° |
| RC210-DA | 25 | 12 | 18 |
| RC220-DA | 51 | 25 | 36 |
| RC230-DA | 96 | 47 | 69 |
| RC240-DA | 195 | 97 | 140 |
| RC250-DA | 300 | 150 | 215 |
| RC260-DA | 610 | 300 | 440 |
| RC265-DA | 864 | 406 | 614 |
| RC270-DA | 1260 | 630 | 910 |
| RC280-DA | 2540 | 1270 | 1830 |

TORQUE Nm

6 bar

| Type | ↔ | | |
|----------|------|------|------|
| | 0° | 50° | 90° |
| RC210-DA | 38 | 19 | 27 |
| RC220-DA | 76 | 38 | 54 |
| RC230-DA | 145 | 72 | 105 |
| RC240-DA | 290 | 145 | 210 |
| RC250-DA | 450 | 225 | 320 |
| RC260-DA | 910 | 460 | 650 |
| RC265-DA | 1296 | 609 | 921 |
| RC270-DA | 1890 | 940 | 1360 |
| RC280-DA | 3800 | 1900 | 2740 |

5,5 bar

| Type | ↔ | | |
|----------|------|------|------|
| | 0° | 50° | 90° |
| RC210-DA | 34 | 17 | 25 |
| RC220-DA | 70 | 35 | 50 |
| RC230-DA | 130 | 66 | 95 |
| RC240-DA | 270 | 135 | 190 |
| RC250-DA | 410 | 210 | 300 |
| RC260-DA | 840 | 420 | 600 |
| RC265-DA | 1188 | 559 | 844 |
| RC270-DA | 1730 | 860 | 1250 |
| RC280-DA | 3500 | 1750 | 2500 |

7 bar

| Type | ↔ | | |
|----------|------|------|------|
| | 0° | 50° | 90° |
| RC210-DA | 44 | 22 | 32 |
| RC220-DA | 88 | 44 | 63 |
| RC230-DA | 165 | 83 | 120 |
| RC240-DA | 340 | 170 | 240 |
| RC250-DA | 530 | 260 | 380 |
| RC260-DA | 1070 | 530 | 770 |
| RC265-DA | 1512 | 711 | 1075 |
| RC270-DA | 2200 | 1100 | 1590 |
| RC280-DA | 4450 | 2220 | 3190 |

AIR CONSUMPTION RC200-DA

Free air at 6 bar air pressure

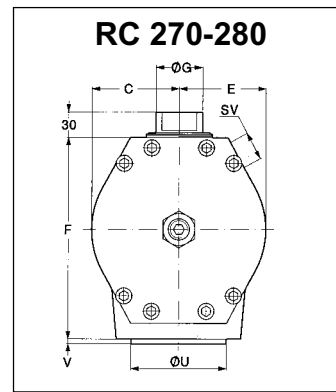
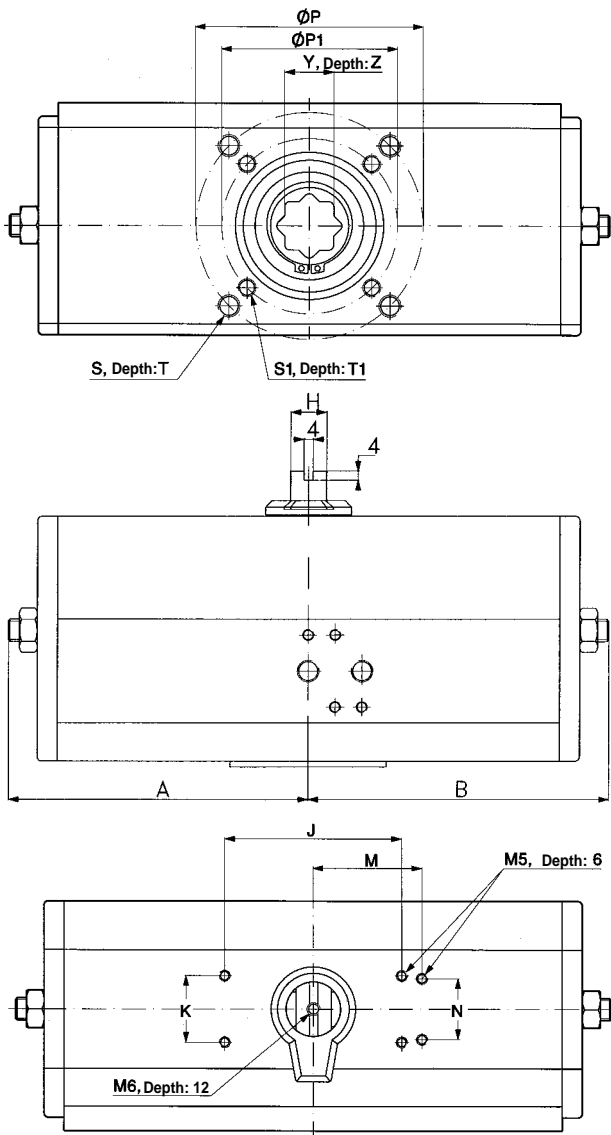
| Type | Anticlockwise rotation dm ³ | Clockwise rotation dm ³ |
|----------|--|------------------------------------|
| RC210-DA | 0,6 | 1,1 |
| RC220-DA | 1,1 | 1,3 |
| RC230-DA | 2,2 | 4,0 |
| RC240-DA | 4,4 | 5 |
| RC250-DA | 6,9 | 13 |
| RC260-DA | 13,8 | 16 |
| RC265-DA | 32 | 36 |
| RC270-DA | 33 | 54 |
| RC280-DA | 66 | 67 |

OPERATION TIME RC200-DA

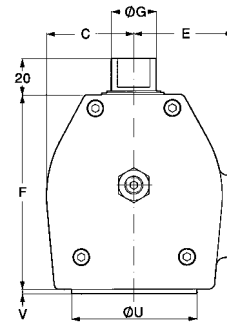
At 6 bar air pressure

| Type | Anticlockwise rotation sec. | Clockwise rotation sec. |
|-------|-----------------------------|-------------------------|
| RC210 | <0,25 | <0,5 |
| RC220 | <0,25 | <0,3 |
| RC230 | <1 | <0,25 |
| RC240 | <1 | <1 |
| RC250 | <1,5 | <2,5 |
| RC260 | <2 | <2,5 |
| RC265 | <1,5 | <1,5 |
| RC270 | <4 | <6 |
| RC280 | <5 | <5 |

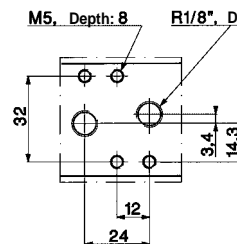
The times relate to full air flow and may increase depending on solenoid valves and the dimensions of connecting pipes.



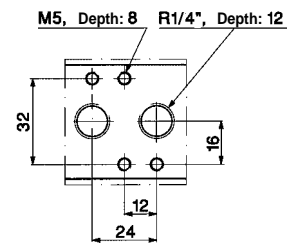
RC 210-260



RC 210-240



RC 250-280



Technical data:

Max. working pressure 10 bar. Operating medium: air or inert gases. On request also low pressure hydraulics.
Ambient temperature: -20 to +80 °C. Actuators for other temperature ranges can be delivered on request.

MEASUREMENTS RC200-DA Standard design

| Type | N.FI | A | B | C | E | F | G | H | J | K | M | N | FI | P | S | T | FI | P1 | S1 | T1 | U | V | Y** | Z | Weight kg |
|----------|------|-----|-----|-----|-----|-----|----|----|------|------|----|----|------|------|------|-----|------|------|------|-----|-----|---|-----|----|-----------|
| RC210-DA | F05 | 45 | 98 | 32 | 41 | 75 | 16 | 10 | 35,4 | 35,4 | 40 | 30 | F05 | 50 | M6 | 11 | - | - | - | - | 35 | 2 | 14 | 19 | 1,2 |
| RC220-DA | F05 | 98 | 98 | | | | | | | | | | F05 | 50 | M6 | 11 | - | - | - | - | 35 | | 14 | 19 | 1,6 |
| RC230-DA | F07 | 65 | 135 | 49 | 55 | 110 | 25 | 16 | 80 | 30 | - | - | F10* | 102* | M10* | 17* | F07 | 70 | M8 | 14 | 55 | 3 | 17 | 30 | 3,5 |
| RC240-DA | F10 | 135 | 135 | | | | | | | | | | F10 | 102 | M10 | 17 | F07* | 70* | M8* | 14* | 70 | | 22 | 30 | 4,9 |
| RC250-DA | F10 | 90 | 190 | 69 | 75 | 155 | 35 | 22 | 80 | 30 | - | - | F12* | 125* | M12* | 21* | F10 | 102 | M10 | 17 | 70 | 3 | 22 | 37 | 9,4 |
| RC260-DA | F12 | 190 | 190 | | | | | | | | | | F12 | 125 | M12 | 21 | F10* | 102* | M10* | 17* | 85 | | 27 | 37 | 12,5 |
| RC265-DA | F12 | 195 | 195 | 76 | 76 | 202 | 35 | 22 | 80 | 30 | - | - | F12 | 125 | M12 | 21 | - | - | - | - | 85 | 3 | 27 | 37 | 18,8 |
| RC270-DA | F14 | 145 | 300 | 110 | 110 | 248 | 60 | 40 | 130 | - | - | - | F14 | 140 | M16 | 25 | - | - | - | - | 100 | 4 | 36 | 64 | 32,0 |
| RC280-DA | F16 | 300 | 300 | | | | | | | | | | F16 | 165 | M20 | 32 | F12* | 125* | M12* | 25* | 130 | 5 | 46 | 64 | 42,0 |

N.FI = Nominal ISO/DIN flange. I.e. mounting hole circle to valve, guide ring diameter U and measure Y follow the same standard flange.

SV = Connection to solenoid valve on RC270-280.

* = Extra mounting holes on all RC230-260 and 280 for alternative ISO/DIN hole pattern.

** = Tolerance H9. The hole is octagonal and adapts to valve stems with squares both in 90° and 45° direction.

RC265: Extra mounting holes on the bottom side, please see leaflet No. 886.

RC270 also has the following hole pattern on the bottom side: CC 170 x 110 mm placed alongside the actuator, 4 pcs M16, depth 25 mm.

RC280 also has the following hole pattern on the bottom side: CC 234,7 x 97,2 mm, 4 pcs M16, depth 25 mm, which corresponds to 4 pcs of 8 pcs F25-holes.

Regarding special designs: Please ask for a special brochure from Remote Control.

We reserve our right for modifications caused by technical development

