



AUSTRAL - POWERFLO
SOLUTIONS

austral

VF-730 - VF-733

**Centric - Rubber Seated
BUTTERFLY VALVES**

**LEVER
GEAR
PNEUMATIC
ELECTRIC
OPERATED**



ALLOWABLE PRESSURE

DN 40 - 600 : 16 bar

DN 650 - 1000 : 10 bar

**AGA APPROVED
CERTIFICATE
NO. 6726**

DESIGN DETAILS AND SPECIFICATIONS

VF-730 (WAFER TYPE) - VF-733 (LUG TYPE)

Kv Values - Valve Sizing Coefficient

Size		Disc Angle (Open Degree)								
mm	inch	10°	20°	30°	40°	50°	60°	70°	80°	90°
40	1 1/2	0.7	2.4	6.9	14.2	22	36	59	81	113
50	2	1.1	3.8	10.2	22	38	60	100	132	193
65	2 1/2	2	7.5	18.2	35	61	95	187	240	315
80	3	2.5	9.8	26	48	83	126	214	338	425
100	4	3.8	14.6	39	72	119	221	361	606	723
125	5	6.5	24	62	118	217	394	599	1038	1243
150	6	10	41	95	175	326	542	873	1260	1859
200	8	19	64	165	306	573	995	1567	2310	3124
250	10	28	101	245	451	836	1462	2253	3256	4757
300	12	34	129	312	615	1137	2125	3248	4991	7058
350	14	47	163	390	795	1498	2573	3980	5749	8319
400	16	62	231	508	1077	1973	3381	5385	8099	11458
450	18	75	256	621	1208	2315	3925	6331	9474	13612
500	20	103	346	859	1692	3086	5348	8513	13109	18748
600	24	139	494	1153	2389	4466	7561	11945	18088	25217
700	28	191	659	1674	3224	5990	10659	17442	25194	36821
750	30	203	700	1777	3420	6354	11307	18503	26727	39062
800	32	257	973	2302	4533	8235	14123	23021	31613	45995
900	36	329	1253	2950	5862	10810	18184	29756	42893	61044
950	38	460	1730	4020	7180	12170	19800	32490	49320	62150
1000	40	510	1919	4456	7956	13494	21939	36000	54649	68874

Kv value denotes the flow rate in m³/hr for water at 20°C flowing under a pressure differential 1 kg/cm².
When required Cv=1.17Kv

Expected Seating/Unseating Torque (Nm)

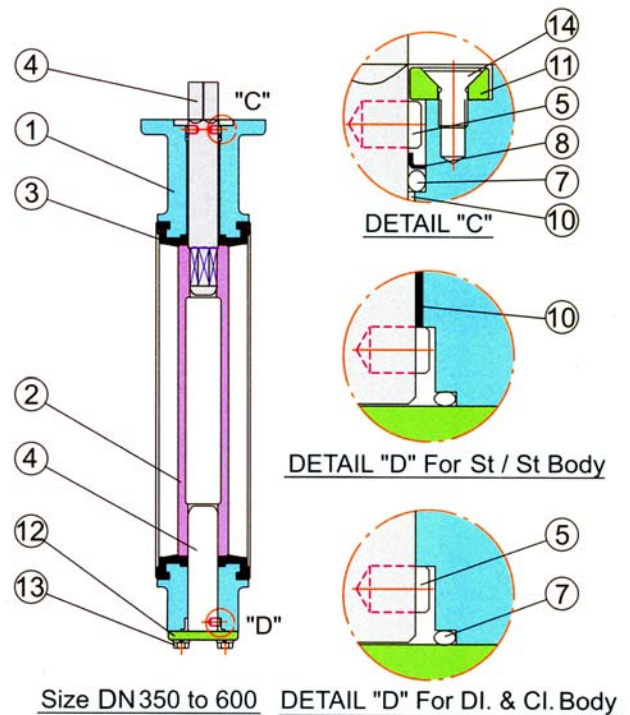
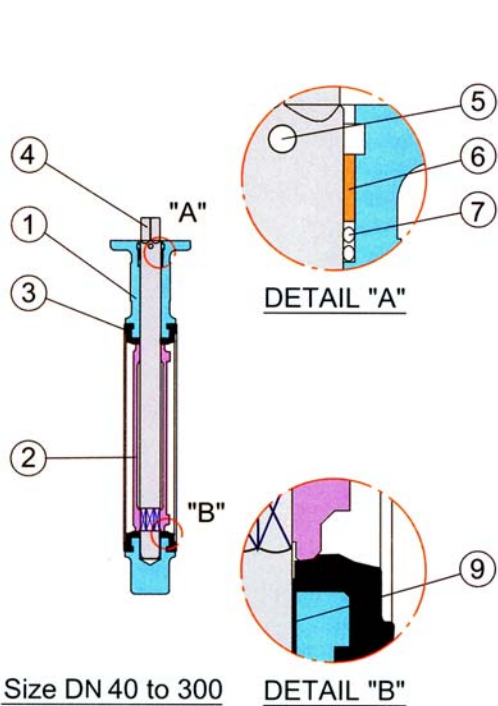
Size		Lubricating (Non-Corrosive)				Dry (Non-Lubricating)		
mm	inch	3	6	10	16	3	6	10
40	1 1/2	15	17	19	23	19	21	23
50	2	15	17	19	23	19	21	23
65	2 1/2	18	20	22	26	22	24	27
80	3	28	31	34	41	34	38	42
100	4	37	41	45	54	45	50	56
125	5	61	68	76	91	76	84	93
150	6	116	127	140	154	126	138	152
200	8	171	190	211	253	211	234	260
250	10	275	306	340	408	340	378	420
300	12	381	423	470	564	470	522	580
350	14	545	605	672		672	747	830
400	16	728	809	899		899	999	1110
450	18	912	1013	1126		1126	1251	1390
500	20	1135	1261	1401		1401	1557	1730
600	24	1325	1472	1636		1636	1818	2020
700	28	2339	2599	2888		2888	3209	3566
750	30	2608	2898	3220		3220	3578	3975
800	32	3008	3342	3713		3713	4125	4583
900	36	3828	4253	4726		4726	5251	5834
950	38	4415	4920	6610		5450	6050	7100
1000	40	5090	5680	7620		6280	7010	9410

To use the Torque Chart, note the following:

- 1 Seating/Unseating torque values above included friction bearing torque for stated ΔP.
- 2 Do not apply a safety factor to above torque values when determining actuator output torque requirement.

MATERIALS DN40 - DN600

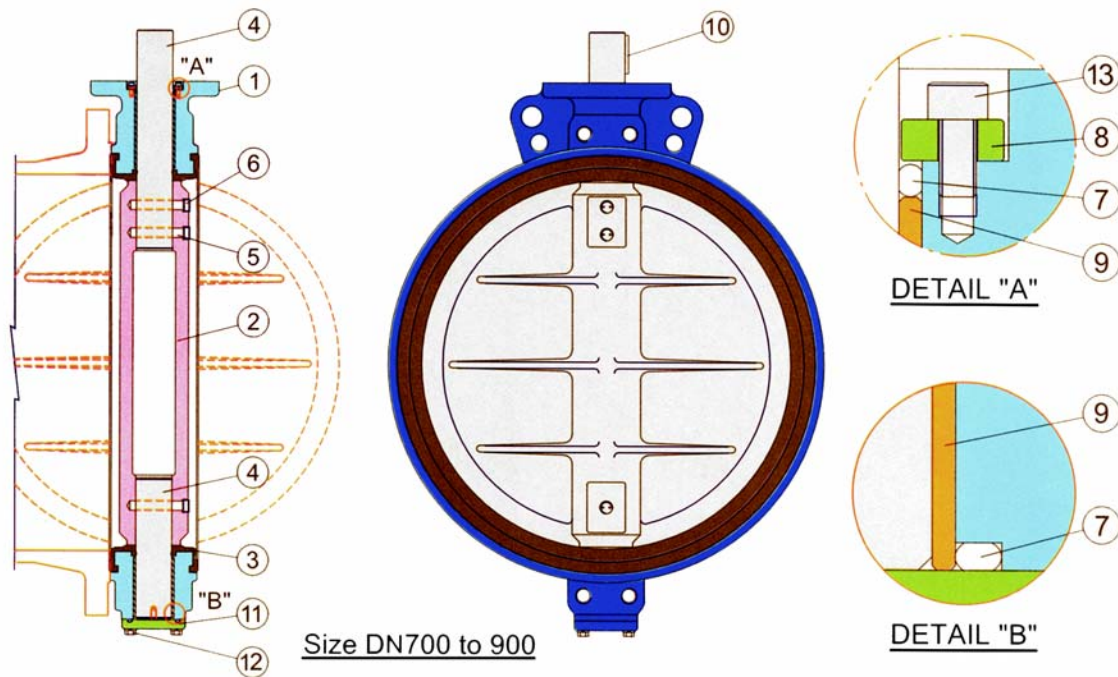
VF-730 (WAFER TYPE)
VF-733 (LUG TYPE)



No.	Name	Materials	Specification		Remarks
			JIS	ASTM	
1	Body	Cast Iron	FC 200	A126 Cl. B	VF-730 (1.5" - 24")
		Ductile Iron	FCD 400	A395	VF-730/733 (1.5" - 24")
		Stainless Steel	SCS 13A	A351 Gr. CF8	VF-730/733 (14" - 24")
			SCS 14A	A351 Gr. CF8M	
2	Disc	Ductile Iron	FCD 400	A395	Nylon 11 coated
		Stainless Steel	SCS 13A	A351 Gr. CF8	
			SCS 14A	A351 Gr. CF8M	
		Alu-Bronze	ALBC2	B148 C95400	
3	Seat	NBR (Nitrile)			-10° - 80°C (14° - 176°F)
		EPDM			-20° - 120°C (-4° - 248°F)
		EPT			-20° - 140°C (-4° - 284°F)
		Neoprene (CR)			0° - 80°C (32° - 176°F)
		Silicon			-20° - 180°C (-4° - 356°F)
		Hypalon (CSM)			-20° - 135°C (-4° - 275°F)
		Viton			-18° - 240°C (-0.4° - 400°F)
4	Stem	Stainless Steel	SUS 410	A182 Gr. F6A	
			SUS 304	A182 Gr. F304	
			SUS 316	A182 Gr. F316	
5	Pin	Stainless Steel	SUS 304	A182 Gr. F304	
6	Bush	Delrin			
7	O-Ring	NBR (Nitrile)			
8	Thrust Ring	Stainless Steel	SUS 304	A240 Gr. 304	
9	Bush	Bronze	BC6	B62	For Cast Iron and Ductile Iron Body
10	Bush	RTEF+Stainless Steel	RTEF+SUS316	RTEF+A240 Gr. 316	
11	Upper Cover	Cast Iron	FC 200	A126 Cl. B	For Cast Iron and Ductile Iron Body
		Stainless Steel	SCS 13A	A351 Gr. CF8	For Stainless Steel Body
12	Bottom Cover	Cast Iron	FC 200	A126-B	For Cast Iron and Ductile Iron Body
		Stainless Steel	SCS 13A	A351 Gr. CF8	For Stainless Steel Body
13	Bolt	Steel			
14	Bolt	Steel			

MATERIALS DN700 - DN900

VF-730 (WAFER TYPE)



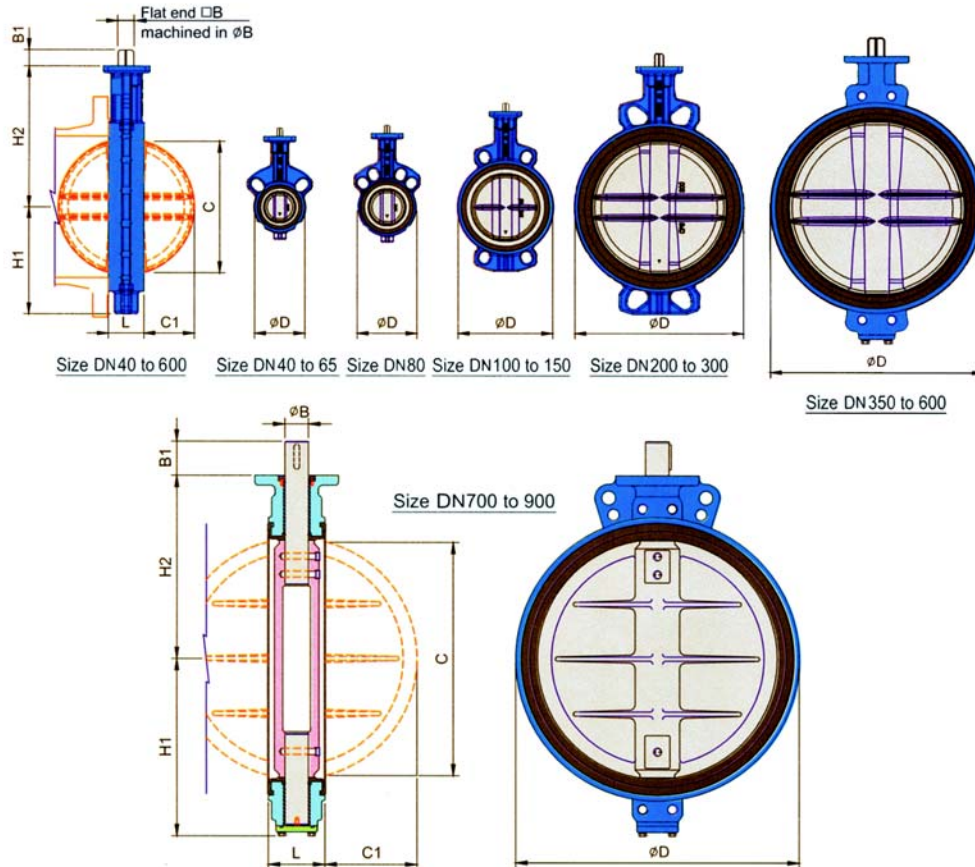
No.	Name	Materials	Specification		Remarks
			JIS	ASTM	
1	Body	Ductile Iron	FCD 400	A395	(28" - 36")
		Stainless Steel	SCS 13A	A351 Gr. CF8	
2	Disc	Ductile Iron	FCD 400	A395	Nylon 11 coated
		Stainless Steel	SCS 13A	A351 Gr. CF8	
		Stainless Steel	SCS 14A	A351 Gr. CF8M	
3	Seat	Alu-Bronze	ALBC2	B148 C95400	
		NBR (Nitrile)			-10° - 80°C (14° - 176°F)
		EPDM			-20° - 120°C (-4° - 248°F)
		EPT			-20° - 140°C (-4° - 284°F)
		Neoprene (CR)			0° - 80°C (32° - 176°F)
		Silicon			-20° - 180°C (-4° - 356°F)
		Hypalon (CSM)			-20° - 135°C (-4° - 275°F)
4	Stem	Stainless Steel	SUS 410	A182 Gr. F6A	
			SUS 304	A182 Gr. F304	
			SUS 316	A182 Gr. F316	
5	Pin	Stainless Steel	SUS 304	A182 Gr. F304	
6	Plug	Stainless Steel			
7	O-Ring	NBR (Nitrile)			
8	Upper Cover	Steel	SS 400	A36	For Cast Iron and Ductile Iron Body
		Stainless Steel	SUS 304	A240 Gr. 304	For Stainless Steel Body
9	Bush	Bronze	BC6	B62	For Cast Iron and Ductile Iron Body
		RTFE+Stainless Steel	RTFE+SUS316	RTFE+A240 Gr. 316	For Stainless Steel Body
10	Key	Steel			
11	Bottom Cover	Cast Iron	FC 200	A126 Cl. B	For Cast Iron and Ductile Iron Body
		Stainless Steel	SCS 13A	A351 Gr. CF8	For Stainless Steel Body
12	Bolt	Steel			
13	Bolt	Steel			

DIMENSIONS

VF-730 (WAFER TYPE)
DN40 - DN900

PRESSURE RATING:

DN 40-600 **16 BAR**
DN 650-900 **10 BAR**



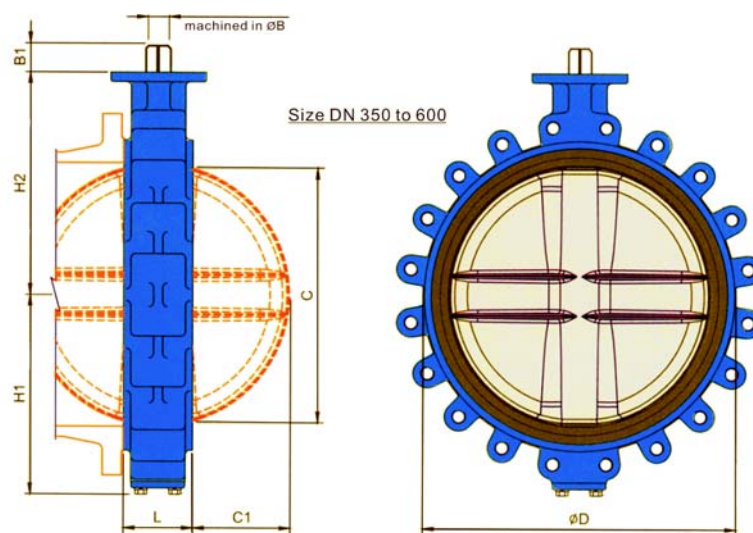
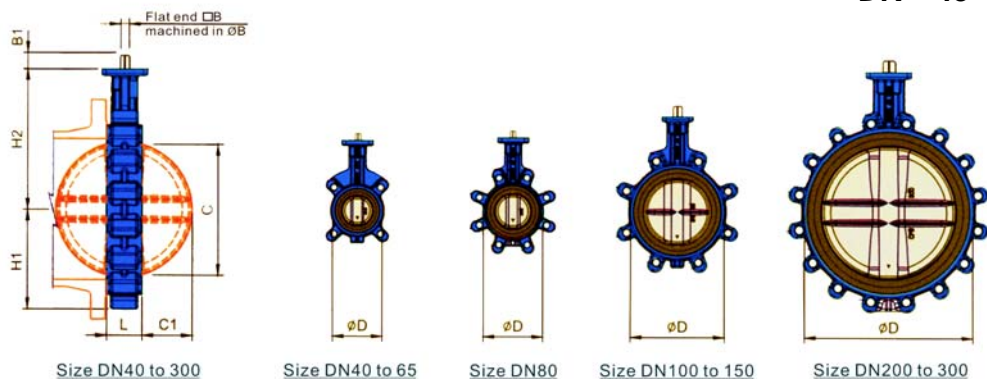
Size		Face to Face				Mounting Flange (ISO 5211)		Shaft End			Key	Disc Clearance		Weight
mm	inch	L	H1	H2	D	Type	PCD	ØB	□B	B1		C	C1	kg
40	1 1/2	33	60	120	81	F07	70	14	11	19		34	7	2
50	2	43	65	143	96	F07	70	14	11	19		39	8	3
65	2 1/2	46	71	155	110	F07	70	14	11	19		55	13	3.8
80	3	46	77	162	124	F07	70	14	11	19		69	19	4
100	4	52	107	181	148	F07	70	14	11	19		91	27	5.3
125	5	56	122	197	180	F07	70	18	14	19		115	36	7.3
150	6	56	140	210	206	F07	70	18	14	19		140	47	8.2
200	8	60	165	240	259	F10	102	22	17	24		186	68	13.5
250	10	68	201	286	320	F10	102	25	19	24		239	90	21.2
300	12	78	234	309	370	F10	102	28	22	24		288	111	32.5
350	14	78	303	329	412	F12	125	35	27	29		325	128	48
400	16	102	335	361	475	F12	125	35	27	29		375	143	60
450	18	114	363	393	530	F14	140	48	36	38		423	162	80
500	20	127	397	427	585	F14	140	48	36	38		473	182	125
600	24	154	459	492	687	F16	165	60	46	48		560	214	200
700	28	165	511	563	796	F16	165	70		90	18 x 12	655	255	395
750	30	190	544	585	856	F25	254	75		110	20 x 12	692	264	490
800	32	190	592	630	870	F25	254	80		110	24 x 16	736	285	580
900	36	203	632	660	1003	F25	254	85		110	24 x 16	841	331	730

DIMENSIONS

VF-733 (LUG TYPE)
DN40 - DN600

PRESSURE RATING:

DN 40-600 **16 BAR**



Size		Face to Face				Mounting Flange (ISO 5211)		Flat Shaft End			Disc Clearance		Weight
mm	inch	L	H1	H2	D	Type	PCD	ØB	□B	B1	C	C1	kg
40	1 1/2	33	60	120	81	F07	70	14	11	19	34	7	2.2
50	2	43	65	143	96	F07	70	14	11	19	39	8	3.4
65	2 1/2	46	71	155	110	F07	70	14	11	19	55	13	4
80	3	46	77	162	124	F07	70	14	11	19	69	19	4.5
100	4	52	89	181	148	F07	70	14	11	19	91	27	7.6
125	5	56	112	197	180	F07	70	18	14	19	115	36	9.5
150	6	56	123	210	206	F07	70	18	14	19	140	47	10.4
200	8	60	150	240	259	F10	102	22	17	24	186	68	17.5
250	10	68	179	286	320	F10	102	25	19	24	239	90	26.5
300	12	78	216	309	370	F10	102	28	22	24	288	111	43.5
350	14	78	303	329	412	F12	125	35	27	29	325	128	58
400	16	102	335	361	475	F12	125	35	27	29	375	143	81
450	18	114	363	393	530	F14	140	48	36	38	423	162	110
500	20	127	397	427	585	F14	140	48	36	38	473	182	155
600	24	154	459	492	687	F16	165	60	46	48	560	214	259

CERTIFICATION

Certificate of Compliance

Full Certification Approval

Certificate Holder: **AUSTRAL ENGINEERING SUPPLIES PTY LTD**

ACN No. (if applicable): **000 004 884**

Manufacturer: **AUSTRAL ENGINEERING SUPPLIES PTY LTD**

Agent (if applicable): **N/A**

Type of Component: **Butterfly Valve Type 1**

Model No. & Description: **Fig VF 730 (50), VF 730 (65), VF 730 (80), VF 730 (100), VF 730 (125) & VF 730 (150) - Wafer Body**
(Refer www.iso.com.au for more details)
Fig VF 733 (50), VF 733 (65), VF 733 (80), VF 733 (100), VF 733 (125) & VF 733 (150) - Lugged Body

Relevant Standard(s): **AS 4617 - 2004**



This is to certify that the particular **COMPONENT** specifically described herein and supplied to The Australian Gas Association (hereafter called the Association) by the Certificate Holder named above has been assessed by the Association and found to comply with the requirements of the Association's Full Certification Approval Scheme.

This Certificate is issued on the express conditions that:

- (i) The Certificate Holder undertakes to comply with the Rules Governing The Australian Gas Association's Full Certification Approval Scheme (hereafter called the Rules Governing);
- (ii) This Certificate remains the property of the Association; and
- (iii) The Association reserves the right to cancel this Certificate in accordance with the Rules Governing, and in such an event the Certificate Holder undertakes to surrender the Certificate to the Association upon request.



[Signature]
 Manager, Certification

[Signature]
 General Manager

Certificate first issued: **16 February 2005** Certificate No: **6726**
 This copy valid from: **16 February 2005** Refer specification issue: **01**



CERTIFICATE

The TÜV CERT Certification Body
of TÜV Rheinland Industrie Service GmbH

certifies in accordance with
TÜV CERT procedures that

Value Valves Co., Ltd.
No. 9 Chung-Shan Rd., Tu-Cheng Industrial District,
Taipei Hsien 236, Taiwan

has established and applies a quality management system for

Design, Manufacturing and Sales of Industrial Valves

An audit was performed, Report No. 056396
Proof has been furnished that the requirements according to
DIN EN ISO 9001:2000
are fulfilled.
The certificate is valid until 2009-08-09
Certificate Registration No. 01 100 056396





TÜV CERT Certification Body of
TÜV Rheinland Industrie Service GmbH

Taipei, 2006-08-31
First Certification 2002

www.tuv.com




CERTIFICATE

Quality-Assurance System
acc. to European Directive 97/23/EC

Certificate-No.: 01 202 ROCIQ-06-0138

Name and address of manufacturer:
Value Valves Co., Ltd.
No. 9, Chung Shan Rd., Tu-Cheng Industrial District,
Taipei Hsien 236, Taiwan, R.O.C.

We hereby certify, that the manufacturer has introduced and implemented a Quality-Assurance-System according to the European Directive 97/23/EC. The manufacturer has the permission to affix the following CE marking to pressure equipment described and manufactured in accordance to the scope covered by this Quality-Assurance System:

CE 0035

Approved acc. to Directive 97/23/EC:
QA System (Module H)
(The QA-System includes E, L, D1 and D2 and is covered by module H)

Audit Report No.: **01 202 ROCIQ-06-0138**

Scope: **Design and Manufacturing of Industrial Valves, see scope**

Plant: **Value Valves Co., Ltd.**
No. 9, Chung Shan Rd., Tu-Cheng Industrial District,
Taipei Hsien 236, Taiwan, R.O.C.

The Certificate is valid until **August 31, 2009**

Berlin, August 18, 2006




TÜV CERT-Certification Body for Pressure Equipment
Dr. J. J. J. J. J.

TÜV Rheinland Industrie Service GmbH
Am Drachen 10
51105 Cologne, Germany
Tel. ++49 227 92-1610 Fax ++49 227 92-1370
e-mail: info@tuv.com

Member of CEN/CENELEC

Austral VF730 & VF733 Butterfly Valves are manufactured in Taiwan by Value Valve Co. Ltd



AUSTRAL - POWERFLO
SOLUTIONS

Austral-Powerflo Solutions Pty Ltd

ACN 000 004 884

Sales Offices: 1300 658 701

Sydney

Mary Street, Ermington 2115
Tel: 02 9877 8101 Fax: 02 9804 6282
Email: aps.nsw@powerflo.com.au

Melbourne

Suite 48, Building 4,
195 Wellington Road, Clayton 3168
Tel: 03 8720 7000 Fax: 03 9720 5522
Email: aps.vic@powerflo.com.au

Brisbane

3/944 Nudgee Road, Banyo 4014
Tel: 07 3292 4000 Fax: 07 3267 1340
Email: aps.qld@powerflo.com.au

Perth

Unit1/24 Tacoma Circuit, Canning Vale, WA 6155
Tel: 08 9456 9600 Fax: 08 9350 6644
Email: aps.wa@powerflo.com.au

New Zealand

2/6 Findlay Street, Ellerslie, Auckland NZ 1005
Tel: (64 9) 525 5454 Fax: (64 9) 579 3106
Mob: (64 2) 176 4053
Email: salesnz@powerflo.co.nz

Head Office & Manufacturing

Safety & Relief Valve Manufacture & Service

FICO Instrument Manufacture & Service

Mary Street, Ermington 2115
Tel: 02 9858 2333 Fax: 02 9804 7193
Email: aps.info@austral-powerflo.com.au
sales@powerflo.com.au
masonelan@powerflo.com.au

Website: www.austral-powerflo.com.au