

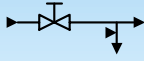
B8

HS stem

instrument valve

specifications

Block and bleed needle valve model B8 is designed for applications requiring bleeding or venting of the media. This valve is available with a standard stem type HS with a conical metal tip to ensure perfect alignment for a bubble tight shut-off. The needle is self centring and non-rotating on the valve seat.

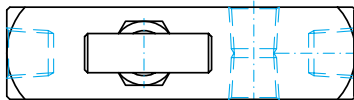
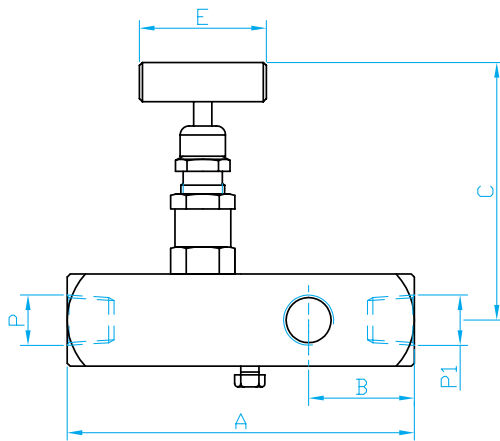


pressure in bar	400
max. temperature in °C	550
material	stainless steel
gland packing	PTFE
stem packing area	burnished mirror finish for smooth valve operation
safety	back seating for preventing stem blowout

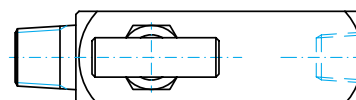
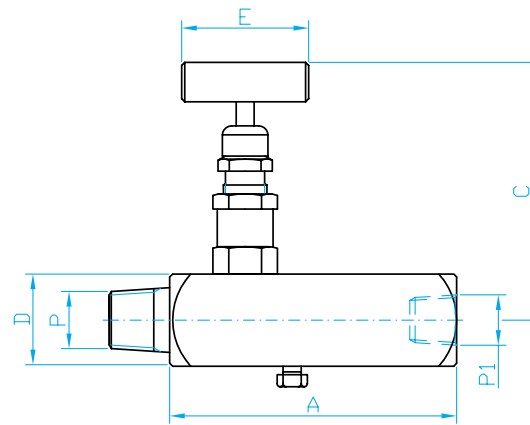
optional

high pressure stem assembly for 700 bar

model FF



model MF



valve dimensions

model	port connections		dimensions in mm				
	inlet	outlet	A	C	D	E	E*
B8	1/4" male	1/4" female	70	62	25	40	45
B8	3/8" male	3/8" female	70	62	25	40	45
B8	1/2" male	1/2" female	83	84	32	55	60
B8	3/4" male	1/2" female	85	84	38	55	60
B8	3/4" male	3/4" female	85	84	38	55	60
B8	1/4" female	1/4" female	70	62	25	40	45
B8	3/8" female	3/8" female	70	62	25	40	45
B8	1/2" female	1/2" female	75	84	32	55	60

E = T-bar, E* = circular