

G5

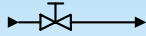
RP stem

instrument valve

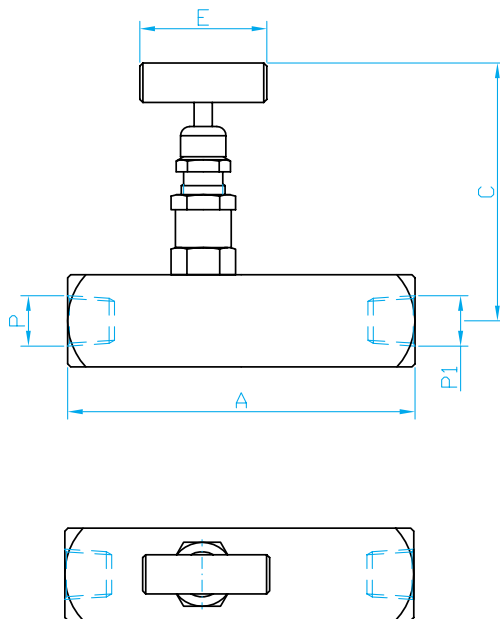
specifications

Needle valve model G5 is designed for fluid applications which contain solid particles. This valve with its rising plug stem type RP gives a high capacity bi-directional flow and ensures a reliable bubble tight shut-off. The flow path of the valve is easily roddable on viscous fluid application cleaning.

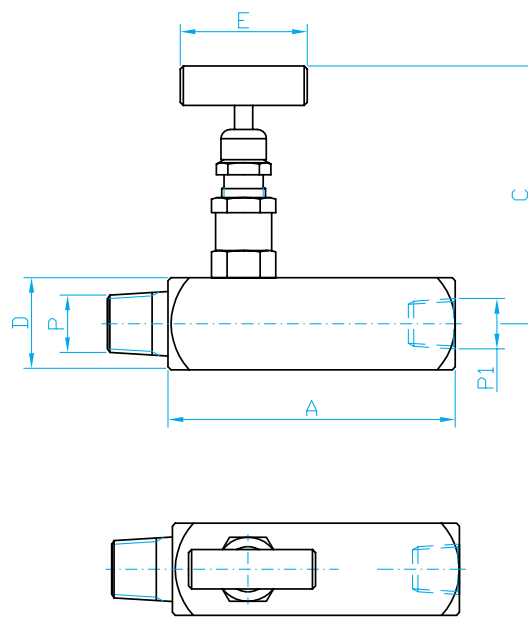
pressure in bar	400
max. temperature in °C	240
seat	Delrin
material	stainless steel
gland packing	PTFE
stem packing area	burnished mirror finish for smooth valve operation
safety	back seating for preventing stem blowout



model FF



model MF



valve dimensions

model	port connections		dimensions in mm				
	inlet	outlet	A	C	D	E	E*
G5	1/4" female	1/4" female	55	62	24	40	45
G5	3/8" female	3/8" female	55	62	24	40	45
G5	1/2" female	1/2" female	65	84	32	55	60
G5	3/4" female	3/4" female	70	88	38	55	60
G5	1" female	1" female	90	108	44	55	60
G5	1/4" male	1/4" female	65	62	24	40	45
G5	3/8" male	3/8" female	55	62	24	40	45
G5	1/2" male	1/2" female	75	84	32	55	60

E = T-bar, E* = circular