

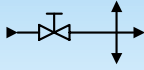
# P6

## HS stem

### instrument valve

#### specifications

Multi-port gauge valve model P6 is designed for versatile multiple positioning purposes without additional penetration of the main piping. This valve is available with a standard stem type HS with a conical metal tip to ensure perfect alignment for a bubble tight shut-off.

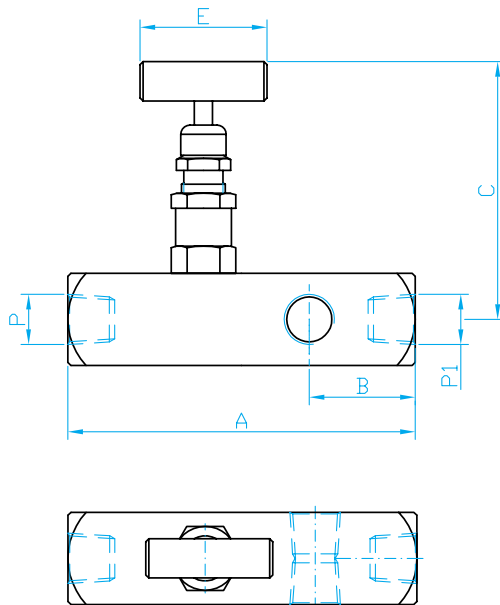


pressure in bar	400
max. temperature in °C	550
material	stainless steel
gland packing	PTFE
stem packing area	burnished mirror finish for smooth valve operation
safety	back seating for preventing stem blowout

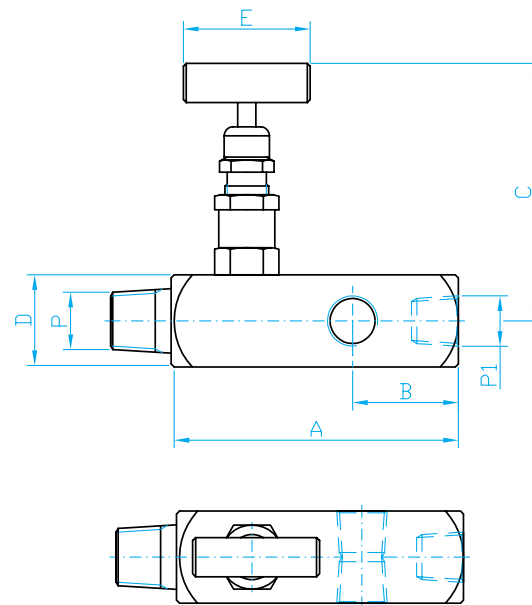
#### optional

extended valve inlet up to 4" maximum for pipe insulation  
bleed valves and plugs to suit outlet ports supplied optional

model FF



model MF



#### valve dimensions

model	port connections		dimensions in mm					
	inlet	outlet	A	C	D	E	E*	F
P6	1/2" male	1/2" female	115	36	84	32	55	60
P6	1/2" male	3/4" female	115	36	84	38	55	60
P6	3/4" male	3/4" female	115	36	84	38	55	60
P6	3/4" male	1/2" female	115	36	84	32	55	60
P6	1/4" female	1/4" female	90	28	62	24	40	45
P6	1/2" female	1/2" female	115	36	84	32	55	60
P6	1/2" female	1/2" extended	215	36	84	32	55	60
P6	3/4" female	3/4" extended	215	36	84	38	55	60

E = T-bar, E\* = circular