

R7

RP stem

instrument valve

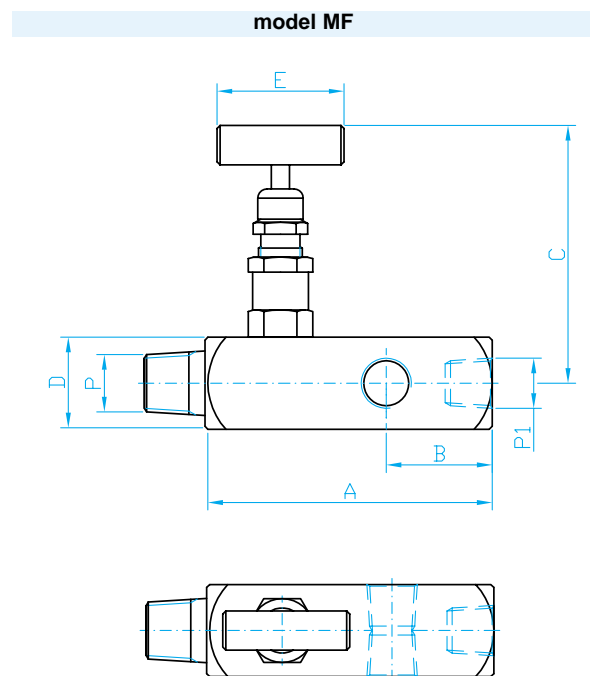
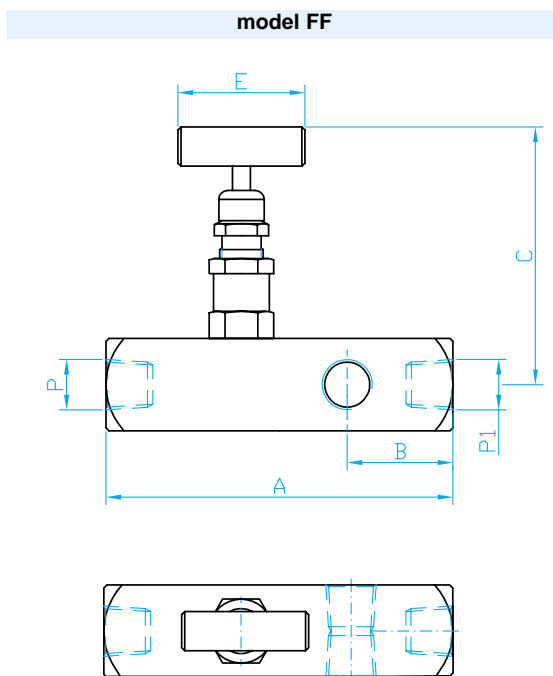
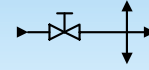
specifications

Multiport gauge valve model R7 is designed for viscous applications and plugging services. It is a completely roddable multi-outlet gauge valve and is available with a rising plug stem type RP. This valve can be used for versatile multiple positioning purposes without additional penetration of the main piping. The flow path of the valve is easily roddable on viscous fluid application cleaning.

pressure in bar	400
max. temperature in °C	240
material	stainless steel
seat	Delrin
gland packing	PTFE
stem packing area	burnished mirror finish for smooth valve operation
safety	back seating for preventing stem blowout

optional

main inlet prepared for welding
bleed valves and plugs to suit outlet ports supplied optional



valve dimensions

model	port connections		dimensions in mm					
	inlet	outlet	A	B	C	D	E	E*
R7	1/2" male	1/2" female	115	36	84	32	55	60
R7	1/2" male	3/4" female	115	36	84	32	55	60
R7	3/4" male	3/4" female	115	36	84	38	55	60
R7	3/4" male	1/2" female	115	36	84	32	55	60
R7	1/4" female	1/4" female	90	28	62	24	40	45
R7	1/2" female	1/2" female	115	36	84	32	55	60
R7	1/2" female	1/2" extended	215	36	84	32	55	60
R7	3/4" female	3/4" extended	215	36	84	38	55	60

E = T-bar, E* = circular