

All stainless steel gas filled thermometer

Model S5500

Nominal size 100 mm or 160 mm

With or without capillary/contacts

Accuracy: Class 1 (DIN) dry
Class 2 (DIN) liquid filled

Features

- Rugged stainless steel construction
- Fast response
- Protection IP65
- High repeatability and small hysteresis
- Dry or liquid filled
- Rigid stem or bulb with capillary

Ranges

-200°C ... 50°C up to 0°C ... 800°C

-330°F ... 120°F up to 50°F ... 1450°F

Applications

Chemical and petrochemical industry

Machine and apparatus construction

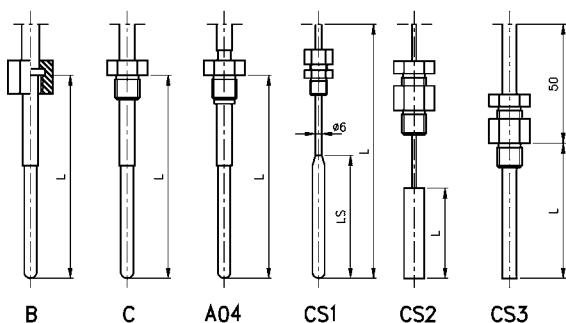
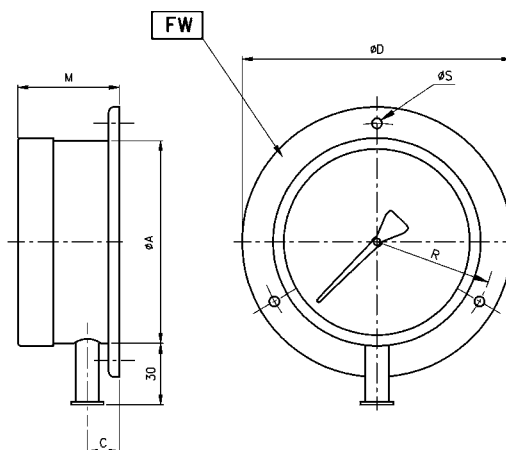
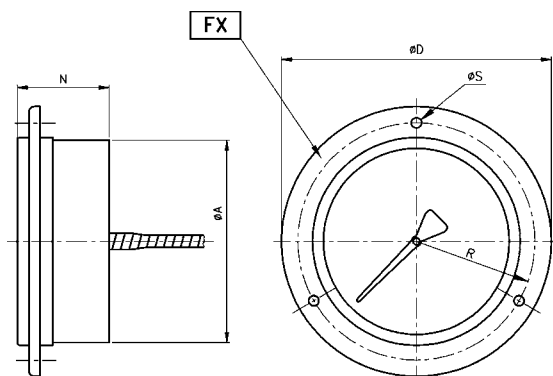
Food and beverage industry

Pulp and paper industry



Technical specification	Rigid stem		With capillary																								
	100	160	100	160																							
Dial size [mm]			100	160																							
Construction	Cylindrical case with bayonet ring																										
Measuring principle	Inert gas actuated																										
Range [°C]	0/60 0/80 0/100 0/120 0/160 0/200 0/250 0/300 0/400 0/500 0/700 0/800 -10/50 -10/110 -20/40 -20/100 -20/120 -20/180 -30/50 -30/70 -30/170 -40/40 -40/60 -40/160 -50/50 -60/40 -80/40 -100/50 -120/40 -200/50																										
	Ranges in °F and dual scales on request																										
Overtemperature limit	Max. 130% F.S. but max. 800°C, optional 210% F.S. but max. 800°C																										
Stem or bulb diameter	6 mm, 8 mm, 9 mm, 10 mm, others on request																										
Lengths	55 ... 4000 mm, other length on request, min. length depends on bulb and range																										
Capillary length	N.A.		max. 100 mm																								
Process connection	Plain G ½ B male, ½ NPT male G 3/8 B male, 3/8 NPT male G 1 B male, 1 NPT male, others on request fixed, adjustable or with swivel nut																										
Connection location	Back, lower, knee joint bendable (180°), knee joint bendable (360°)																										
Material	<table border="0"> <tr> <td>Connection</td> <td>Stainless steel 304 (1.4301)</td> <td rowspan="5">Stainless steel 321 (1.4541) Flexible, 304 (1.4301), or 316 (1.4401) optional PVC covered</td> </tr> <tr> <td>Stem</td> <td>Stainless steel 321 (1.4541)</td> </tr> <tr> <td>Case/ring</td> <td>Stainless steel 304 (1.4301), optional 316 (1.4401)</td> </tr> <tr> <td>Capillary</td> <td></td> </tr> <tr> <td>Armor</td> <td></td> </tr> <tr> <td>Window</td> <td colspan="2">Instrument glass, optional laminated safety glass or acrylic glass</td> </tr> <tr> <td>Dial</td> <td colspan="2">Aluminum, black markings on white background</td> </tr> <tr> <td>Pointer</td> <td colspan="2">Aluminum, black, optional micrometer pointer or maximum pointer</td> </tr> <tr> <td>Movement</td> <td colspan="2">Stainless steel 304/303 (1.4301/1.4305)</td> </tr> </table>				Connection	Stainless steel 304 (1.4301)	Stainless steel 321 (1.4541) Flexible, 304 (1.4301), or 316 (1.4401) optional PVC covered	Stem	Stainless steel 321 (1.4541)	Case/ring	Stainless steel 304 (1.4301), optional 316 (1.4401)	Capillary		Armor		Window	Instrument glass, optional laminated safety glass or acrylic glass		Dial	Aluminum, black markings on white background		Pointer	Aluminum, black, optional micrometer pointer or maximum pointer		Movement	Stainless steel 304/303 (1.4301/1.4305)	
Connection	Stainless steel 304 (1.4301)	Stainless steel 321 (1.4541) Flexible, 304 (1.4301), or 316 (1.4401) optional PVC covered																									
Stem	Stainless steel 321 (1.4541)																										
Case/ring	Stainless steel 304 (1.4301), optional 316 (1.4401)																										
Capillary																											
Armor																											
Window	Instrument glass, optional laminated safety glass or acrylic glass																										
Dial	Aluminum, black markings on white background																										
Pointer	Aluminum, black, optional micrometer pointer or maximum pointer																										
Movement	Stainless steel 304/303 (1.4301/1.4305)																										
Accuracy	Class 1 (dry) , Class 2 (liquid filled) according to DIN 16203																										
Zero adjustment	± 6% externally																										
Protection according EN 60 529/IEC 529	IP65																										
Filling liquids	Glycerin, silicone																										
Weight dry/filled [kg]	0,8/1,0	1,2/3,0	1,0/1,2	1,4/3,2																							
Accessories, options	Thermowells, dual scales, magnet spring- or inductive contacts, calibration certification																										

General dimensions [mm]



	A	C	D	M	N	R	S
NG 100	99	13	132	50	45	58	5
NG 160	159	13	196	50	45	89	6

minimum bulb length

bulb diameter	6 mm	8 mm	9 mm	10 mm
direct mount or capillary up to 5 m	190 mm	90 mm	68 mm	55 mm
capillary over 5 m	on request	170 mm	130 mm	100 mm

Rev. D

Order information

Size	Bulb diameter	Length of bulb/stem	Length of capillary	Process connection	Connection size	Connection orientation	Range	Engineering units	Options
(100) 100 mm	(6) 6 mm	55 to 4000 mm	length in [mm] max. 100 m	(CS1) Adjustable union connection sliding on tube ¹⁾	(50) G ½ B	(L) Lower	0/ 60	°C	(NH) Tagging wired
(160) 160 mm	(8) 8 mm				(75) G ¾ B	(R) Back	0/ 80		(DA) Dial marking
	(9) 9 mm				(10) G 1 B	(E1) Knee joint bendable (180°)	0/ 100		(CS) Dual scale
					(10) 10 mm	(50N) ½ NPT	(E2) Knee joint bendable (360°)		0/ 120
				(CS2) Adjustable union connection sliding on capillary	(75N) ¾ NPT		0/ 160	(SG) Safety glass	
				(CS3) Adjustable union connection sliding on stem	(10N) 1 NPT		0/ 200	(MP) Micro pointer	
				(B) Turning nut			0/ 250	(A4) Capillary stainless steel armored	
				(C) Single nipple			0/ 300	(A5) Capillary stainless steel armored with PVC covering	
				(A04) Turning nipple			0/ 400	(FX) Front flange	
							0/ 500	(FW) Back flange	
							0/ 700	(FH) Surface mounting bracket L = 100 mm	
							0/ 800	(UC) U-clamp	
							-10/ 50	(EP) Maximum pointer	
							-10/ 110		
							-20/ 40		
							-20/ 100		
							-20/ 120		
							-20/ 180		
							-30/ 50		
							-30/ 70		
							-30/ 170		
							-40/ 40		
							-40/ 60		
							-40/ 160		
							-50/ 50		
							-60/ 40		
							-80/ 40		
							-100/ 50		
							-120/ 40		
							-200/ 50		
Others on request				¹⁾ Length of bulb (LS) must be specified.				°F and dual scale on request	
				Others on request					
					Others on request				

How to order

Size	Type	Bulb diameter	Length of bulb/stem	Length of capillary	Process connection	Connection size	Connection orientation	Range	Engineering unit	Option
100	S5500	8	100	1500	CS2	50N	L	0/100	C	FW

DRESSER EUROPE GmbH Instruments

Germany
Max-Planck-Str. 1, D-52499 Baesweiler
P.O. Box 11 20, D-52490 Baesweiler
Tel.: +49 (0) 24 01 80 80, Fax: +49 (0) 24 01 80 81 25

France
„206° ZA Le Mandinet Rue des Campanules
F-77185 Lognes
Tel.: +33 (0) 1 60 37 25 30, Fax: +33 (0) 1 60 37 25 39

Website: www.dresserbae.de

United Kingdom
East Gillibrands
Skelmersdale, Lancashire WN8 9TU
Tel.: +44 (0) 16 95 52 6000, Fax: +44 (0) 16 95 52 693

e-Mail: sales@dresserbae.de