

All stainless steel process gauge open or solid front

Model T5500 and T6500

According EN 837-1
 Nominal size 100 mm or 160 mm
 Accuracy: Class 1 (EN)



Features

- Rugged stainless steel construction
- Socket and case welded
- Protection IP65
- Optional ATEX approved $\text{CE} \text{ Ex II 2 GD c}$
- Usable to full scale
- Overload protection 130 %
- Dry, liquid filled or liquid less (*PLUS!* gauge)
- Measuring system stainless steel or Monel
- Optional contacts

Ranges

-1 ... 0 bar up to 0 ... 2500 bar
 -30 in. Hg ... 0 psi up to 0 ... 36.000 psi

Applications

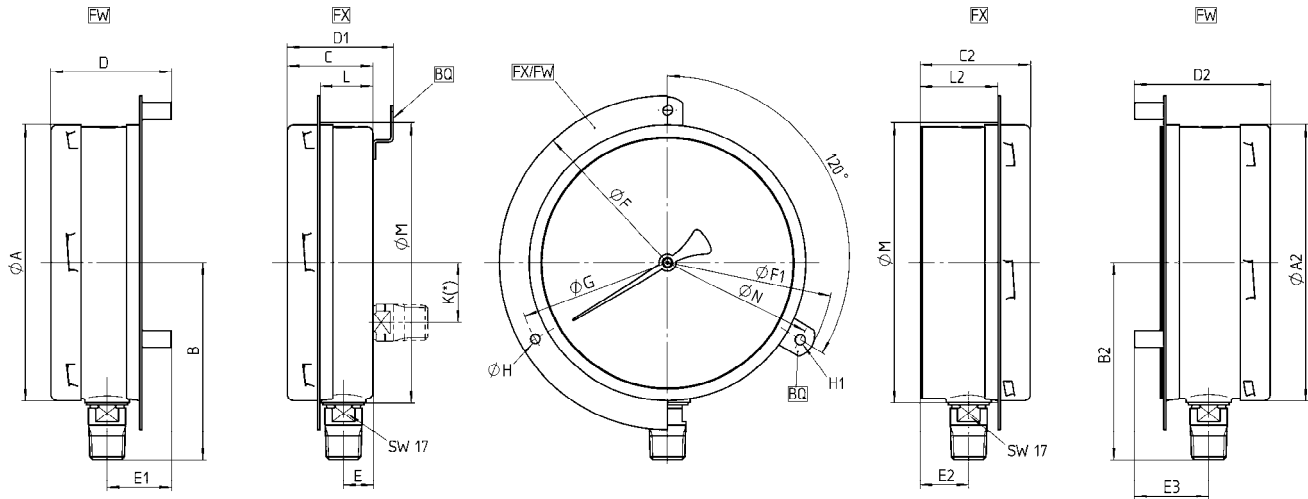
Chemical and petrochemical industry
 Machine and apparatus construction
 Food and beverage industry
 Pulp and paper industry



Technical specification	T5500		T6500	
	100	160	100	160
Dial size in mm	100	160	100	160
Construction	Open front cylindrical case with blow out disc at the back		Solid front safety pattern cylindrical case with blow out at the back	
Measuring principle	Bourdon tube			
Range in bar	0,6 1 1,6 2,5 4 6 10 16 25 40 60 100 160 250 400 600 1000			
Overpressure limit	1600 2500 -1/0 -1/0,6 -1/1,5 -1/3 -1/5 -1/9			
Pressure type	130 % F.S., short time Gauge, vacuum and compound			
Process connection	G 1/4 B male, G 1/2 B male, G 3/8 B male according EN 837, M20x1,5 male, R 1/2 male tapered (DIN 2999), 1/2" male straight (JIS, BSP), 3/8" male straight (JIS, BSP), 1/4 NPT male, 1/2 NPT male according ANSI/ASME B1.20.1, 9/16-18 UNF-2B Aminco (high pressure), Others on request (for pressure limitations see order information)			
Connection location	Lower, back		Lower only	
Material	Stainless steel 316L (1.4404), optional Monel			
Pressure connection	Stainless steel 316L (1.4404), optional Monel, > 1000 bar Ni Span			
Tube	Stainless steel 304 (1.4301), optional 316L (1.4404)			
Case/bayonet ring	Instrument glass, optional laminated safety glass or acrylic glass			
Window	Instrument glass, optional laminated safety glass or acrylic glass		Laminated safety glass, optional acrylic glass	
Dial	Aluminum, black markings on white background			
Pointer	Aluminum, black, optional micrometer adjustment, red set hand or maximum pointer			
Movement	Stainless steel 304/303 (1.4301/1.4305)			
Accuracy	Class 1 (1 % F.S.), optional 0,5 % F.S.			
Permissible	-25 ... 60 °C			
Ambient temperature	Max. 200 °C (dry), max. 100 °C (liquid filled)			
Medium temperature	-40 ... 60 °C			
Storage temperature	Max. 0,3 % / 10 K			
Effect				
Protection according EN 60 529/IEC 529	IP65			
Conformity according to RL 94/9/EC appendix X for mechanical equipment in potential hazardous areas	Optional, Marking $\text{CE} \text{ Ex II 2 GD c}$ File no. 800314628 at notified body 0032, TUV NORD CERT (only with safety glass and protection IP65 or liquid filling)		T4 (T _{amb} -20 ... 60 °C, T _{med} -20 ... 100 °C) T5 (T _{amb} -20 ... 60 °C, T _{med} -20 ... 70 °C) T6 (T _{amb} -20 ... 60 °C, T _{med} -20 ... 55 °C)	
Filling liquids	Glycerin, silicone, halocarbon, others on request Optional dampened movement (liquid less gauge), functions as liquid filled gauge (<i>PLUS!</i> gauge)			
Mounting	Standard stem, optional flush or surface, others on request			
Weight dry/filled in kg	0,8/1,0	1,2/2,0	0,8/1,0	1,2/2,0
Accessories, options	Diaphragm seals, valves, gauges with contacts (see G1.K55/E), gauges with electrical output, NACE			

All specifications are subject to change without notice.

General dimensions in mm



T5500

T6500

160	162	118	50	70	62	17	38	196	194	178	5,5	6	35	54	31	164	179
100	101	88	51	69	62	18,5	36,5	132	134	116	4,8	6	35	31	31	103	119
NG	A	B	C	D	D1	E	E1	F	F1	G	H	H1	K	K*	L	M	N

160	162	118	64	80	28	43	196	178	5,5	6	45	164	179
100	101	89	61	74	26	41	132	116	4,8	6	42	103	119
NG	A2	B2	C2	D2	E2	E3	F	G	H	H1	L2	M	N

K* = Bereich / range / échelle >1000 bar oder / or / ou Material System / system material / matière élément D, M, P

Rev. K

Order information

Size	Type	System material	Execution	Process connection	Connection orientation	Range	Engineering unit	Filling/Case material	Options
(100) 100 mm	T5500	(S) 316L (1.4404) ≤ 1000 bar	(D) Dry	(04) ½ NPT male ¹⁾	(L) Lower	-1/ 0 ¹⁾ -1/ 1,5 -1/ 3 -1/ 5 -1/ 9	(BAR)	(=) Standard no filling	(NH) Tagging wired
(160) 160 mm	T6500	(P) Monel 400 ≤ 1000 bar (D) Ni span tube, 316L (1.4404) socket > 1000 bar	(L) Liquid filled	(02) ¼ NPT male ¹⁾ (09) 9/16-18 UNF-2B Aminco (13) G ¼ B male ¹⁾ (14) G 3/8 B male ¹⁾ (15) G ½ B male ¹⁾ (16) M20x1,5 male ¹⁾ (KQ) R½ male tapered DIN 2999 ¹⁾ (KN) ½" male straight (JIS, BSP) ¹⁾ (KP) 3/8" male straight (JIS, BSP) ¹⁾	(B) Back ¹⁾	0/ 0,6 ²⁾ 0/ 1 ¹⁾ 0/ 1,6 0/ 2,5 0/ 4 0/ 6 0/ 10 0/ 16 0/ 25 0/ 40 0/ 60 0/ 100 0/ 160 0/ 250 0/ 400 0/ 600 0/1000 0/1600 0/2500		(GV) Silicone (GV3) Silicone 3 cst (GR) Glycerin (GX) Halocarbon ¹⁾ (YW) Case material 316L (1.4404) () Contact type and function (see G1.K55/E) ATEX approved contact gauges only with inductive contacts.	(DA) Dial Marking (TU) Throttle plug stainless steel (6B) Oxygen cleaned (not for T5500 (open front) acc. EN 837-1) (MP) Micrometer pointer (PD) Acrylic glass (SG) Safety glass (FX) Front flange (FW) Back flange (UF) U-clamp (not for T6500) (LJ) Field fillable (only for execution D) (AJ) Calibration 0,5 % F.S. (not for ranges < 1 bar (dry) or < 6 bar (liquid filled)) (LL) Liquid less gauges (Halocarbon filling not allowed) (NS) Liquid less gauges, silicon free (not for execution L) (PR) Receiver gauge (AT4) ATEX listed, T4 (AT5) ATEX listed, T5 (AT6) ATEX listed, T6
						¹⁾ not allowed with liquid less (LL or NS) option ²⁾ not allowed with execution L or with liquid less (LL or NS) option	psi and others on request		

Order example

Size	Type	System material	Execution	Process connection	Connection orientation	Range	Engineering unit	Filling/Case material	Options
100	T5500	S	D	15	L	0/16	BAR	YW	NH

Ashcroft Instruments GmbH

Germany
Max-Planck-Str. 1, D-52499 Baesweiler
P.O. Box 11 20, D-52490 Baesweiler
Tel.: +49 (0) 2401 808-0, Fax: +49 (0) 2401 808-125

France
„206“ ZA du Mandinet, 1/3 Rue des Campanules
F-77185 Lognes
Tel.: +33 (0) 1 60 37 25 30, Fax: +33 (0) 1 60 37 25 39

Website: www.ashcroft.eu

e-Mail: sales@ashcroft.com

United Kingdom

Unit 5 William James House
Cowley Road, Cambridge CB4 0WX
Tel.: +44 (0) 12 23 39 55 00, Fax: +44 (0) 12 23 39 55 01