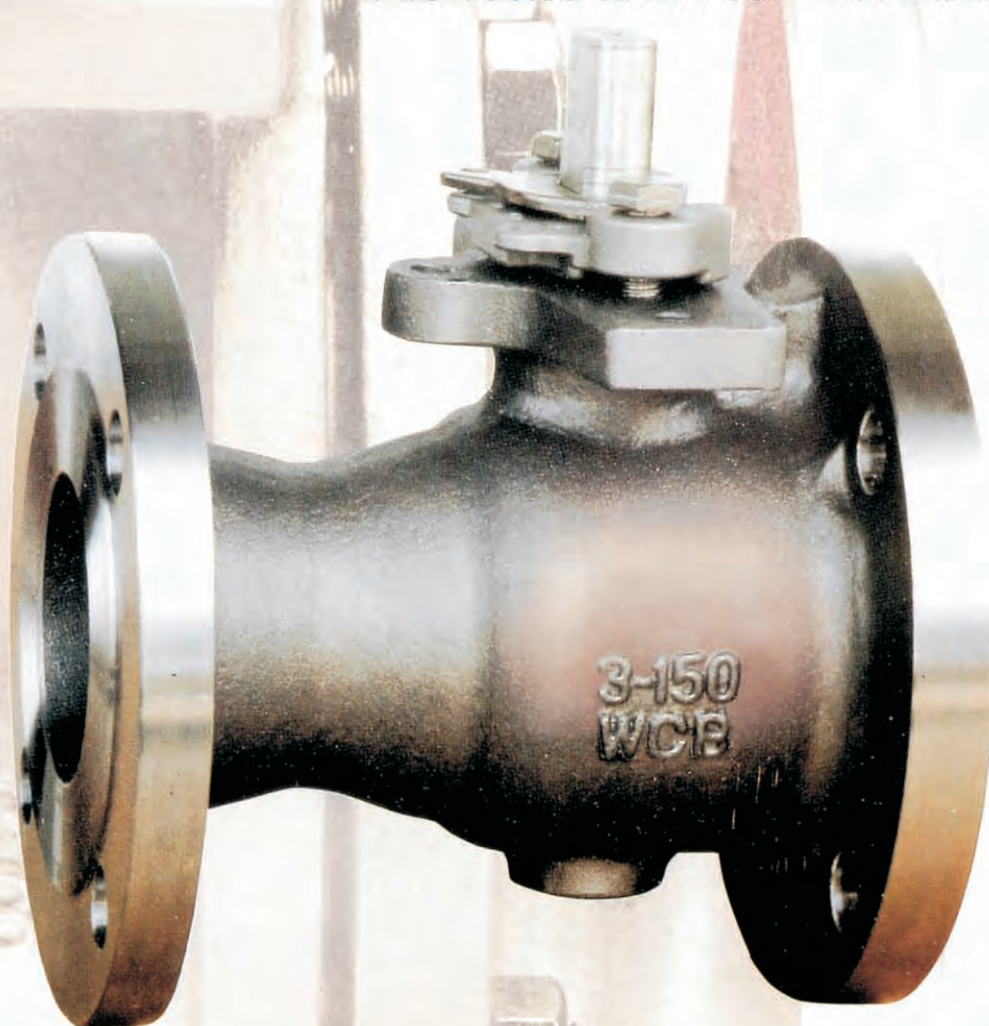


austral

FLOATING BALL VALVE

- ★ Shell Molded Castings
- ★ Both Series conform to the following standards and specifications:
API 598, API 608, ANSI B16.10
ANSI B16.5 ANSI B16.34
NACE MR0175
- ★ Locking device as standard
- ★ Fire Tested to API 607 - 4th Edition



AUSTRAL

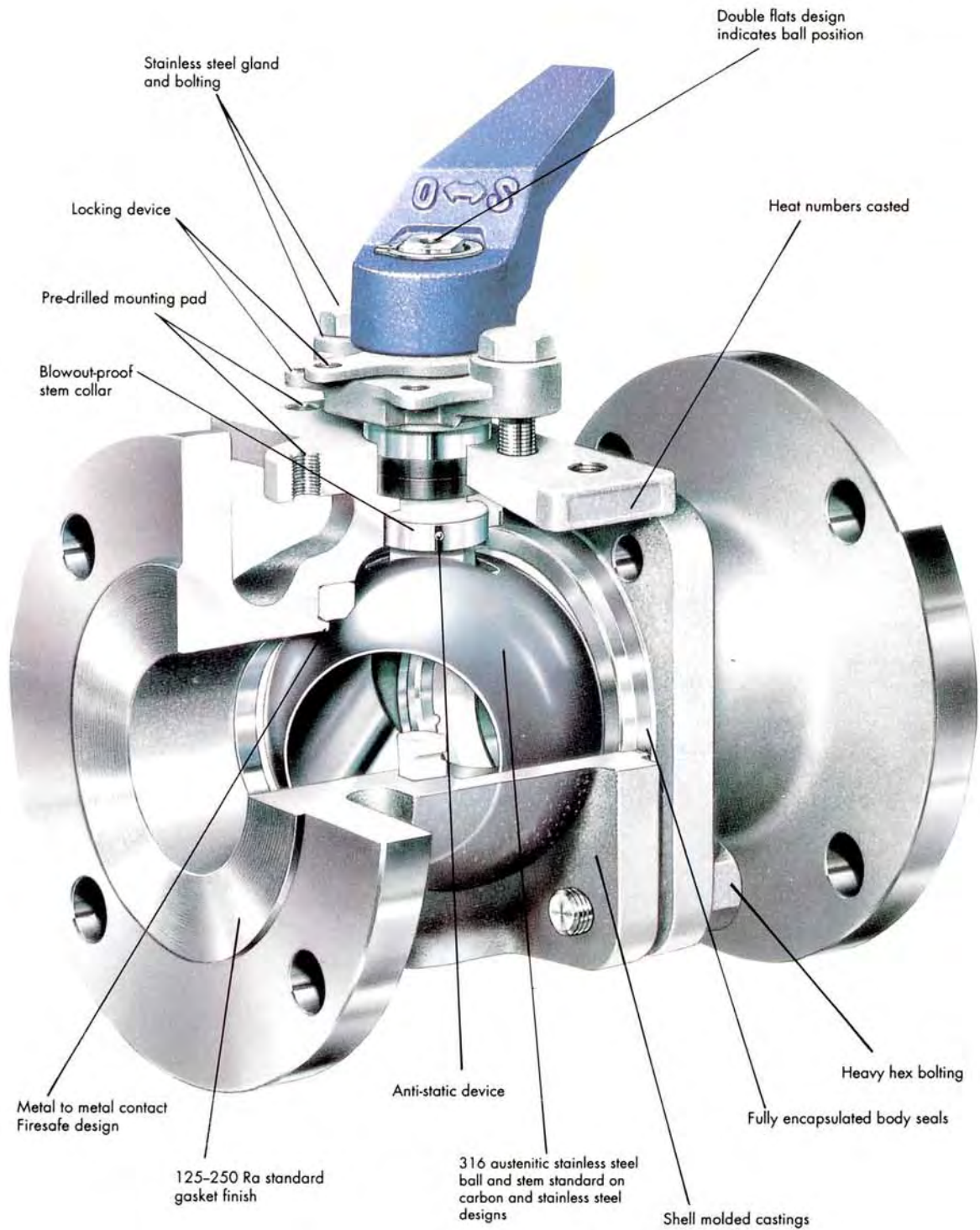
**Series 1150 - #150
1300 - #300**

One-Piece Regular Bore

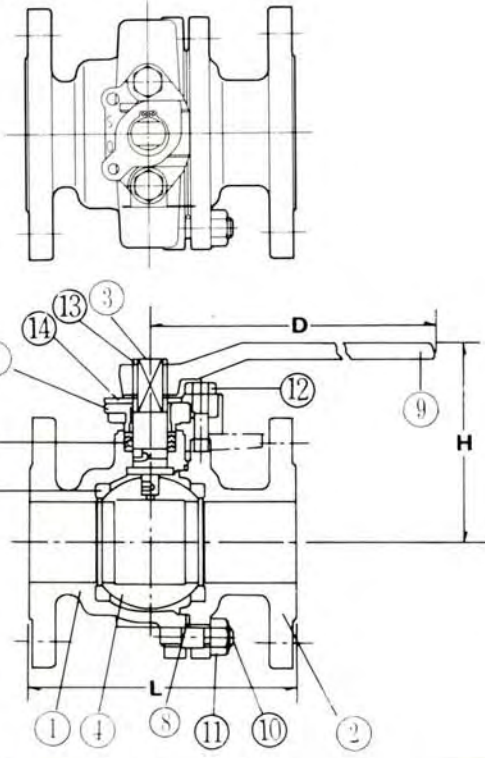
**Series 2150 - #150
2300 - #300**

Two-Piece Full Bore

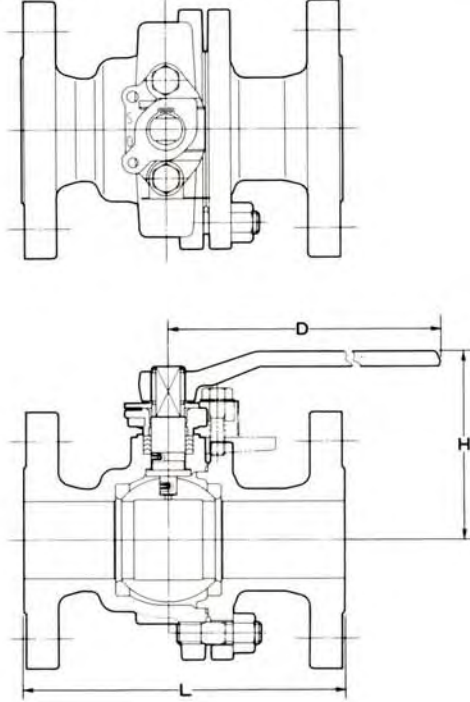
AUSTRAL Floating Ball Valve Series 2150/2300 Full Bore



Series 2150-150#



Series 2300-300#



Dimensions of 2150-150#

Valve size	in	1/2	3/4	1	1-1/2	2	3	4	6	8	10
	mm	15	20	25	40	50	80	100	150	200	250
Bore	in	0.59	0.79	0.98	1.57	1.97	3.15	3.94	5.91	7.87	9.84
	mm	15	20	25	40	50	80	100	150	200	250
L	in	4.25	4.625	5	6.5	7	8	9	15.5	18	21
	mm	108	117	127	165	178	203	229	394	457	533
H	in	3.23	3.35	3.70	4.53	4.72	6.50	7.87	11.61	13.98	—
	mm	82	85	94	115	120	165	200	295	355	—
D	in	5.12	5.12	6.30	9.06	9.06	15.75	18.11	39.37	59.06	—
	mm	130	130	160	230	230	400	460	1000	1500	—
Weight (kg)		1.78	2.22	3.11	6.22	9.78	21.33	33.33	74.67	135.56	211.11

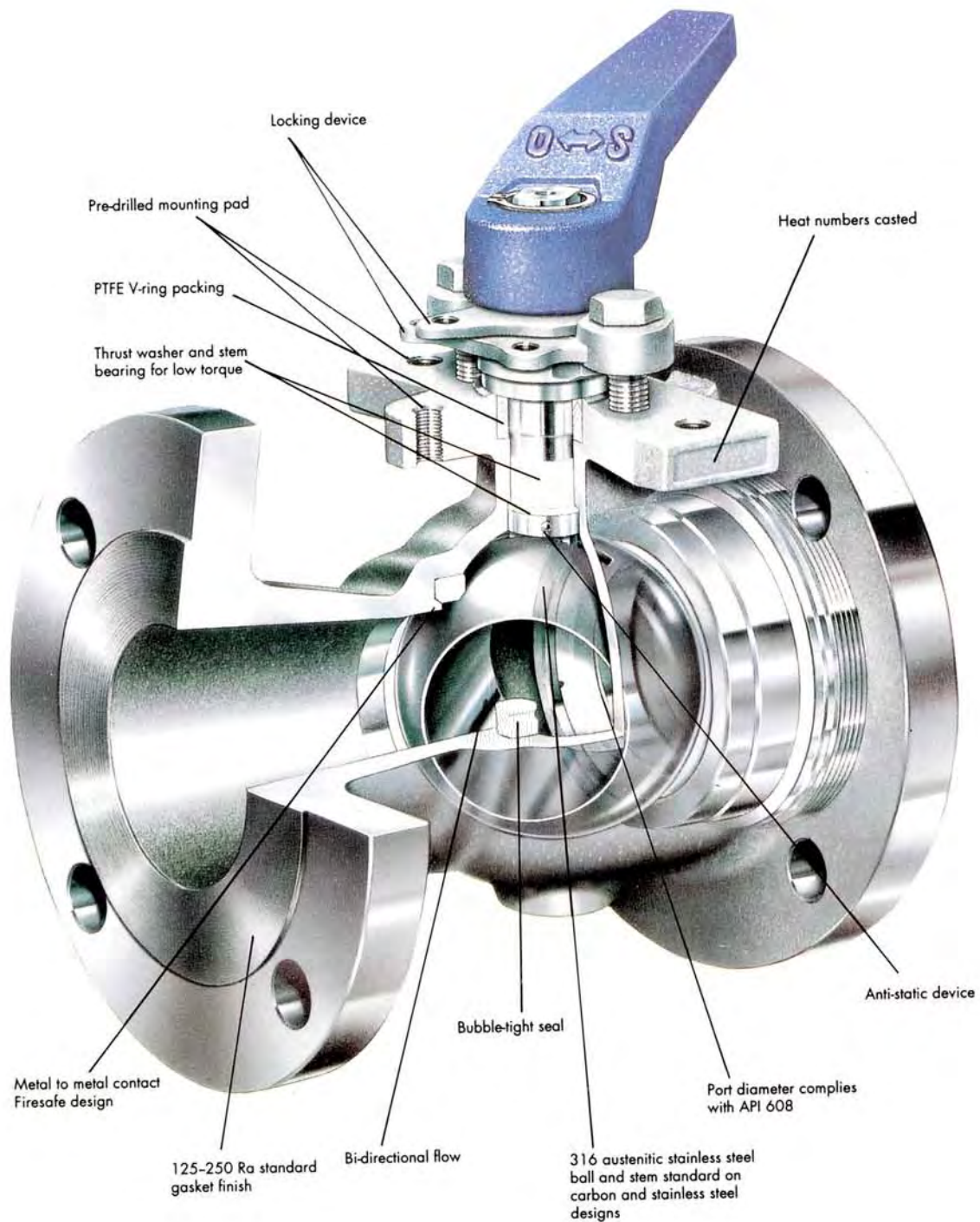
Dimensions of 2300-300#

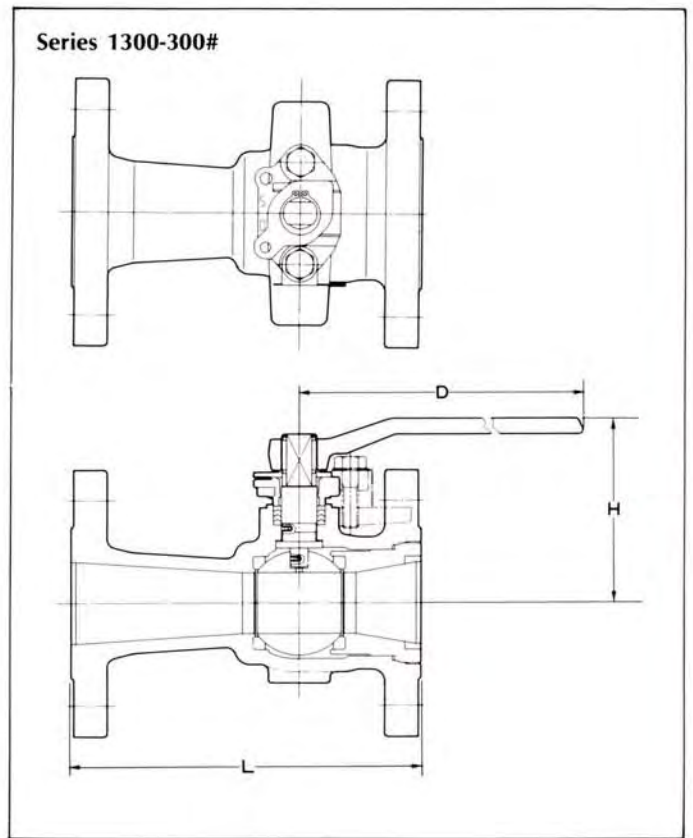
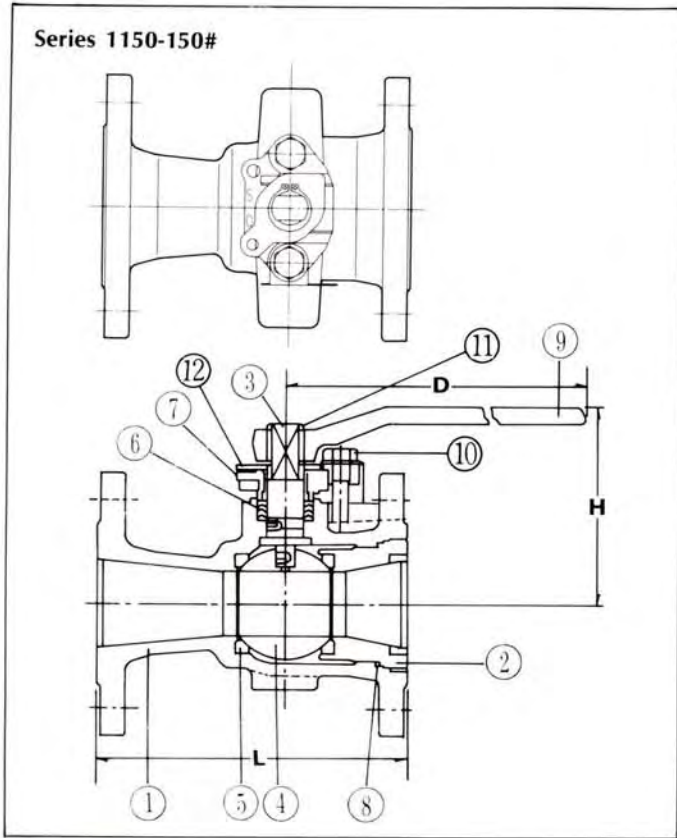
Valve size	in	1/2	3/4	1	1-1/2	2	3	4	6	8	—
	mm	15	20	25	40	50	80	100	150	200	—
Bore	in	0.59	0.79	0.98	1.57	1.97	3.15	3.94	5.91	7.87	—
	mm	15	20	25	40	50	80	100	150	200	—
L	in	5.5	6	6.5	7.5	8.5	11.125	12	15.875	19.75	—
	mm	140	152	165	190	216	283	305	403	502	—
H	in	3.23	3.35	3.70	4.53	4.72	6.50	9.45	11.61	13.98	—
	mm	82	85	94	115	120	165	240	295	355	—
D	in	5.12	5.12	6.30	9.06	9.06	15.75	29.53	39.37	59.06	—
	mm	130	130	160	230	230	400	750	1000	1500	—
Weight (kg)		2.67	4.00	5.33	9.33	12.89	28.89	46.67	106.67	139.11	183.56

NO.	Parts	CF8M	WCB
1	Body	A351 GrCF8M	A216 Gr WCB
2	Body cap	A351 GrCF8M	A216 Gr WCB
3	Stem	A276 Type 316	A276 Type 316
4	Ball	A276 Type 316 or A351 Gr. CF8M	A276 Type 316 or A351 Gr. CF8M
5	Ball seat	PTFE(15% GF)	PTFE(15% GF)
6-1	Gland packing	(1) Virgin PTFE	(1) Virgin PTFE
6-2	Stem bearing	Reinforced PTFE	Reinforced PTFE
6-3	Thrust washer	Reinforced PTFE	Reinforced PTFE
7	Gland	A351 Gr. CF8	A351 Gr. CF8
8	Gasket	PTFE	PTFE
9	Handle	Ductile iron	Ductile iron
10	Cap bolt	A 193 Gr. B8	A 193 Gr. B8
11	Cap nut	A 194 Gr. 8F	A 194 Gr. 8F
12	Gland bolt	A 193 Gr. B8	A 193 Gr. B8
13	Snap ring	A276 Type 301	A276 Type 301
14	Stopper	A276 Type 304	A276 Type 304

Note (1): For Fire-Safe Design Gland Packing is Graphite

AUSTRAL Floating Ball Valve Series 1150/1300 Standard Bore





Dimensions of 1150-150#

Valve size	in	3/4	1	1-1/2	2	3	4	6	8	10
Bore	mm	20	25	40	50	80	100	150	200	250
	in	0.49	0.67	1.18	1.50	2.28	2.99	4.49	5.67	7.36
L	mm	12.5	17	30	38	58	76	114	144	187
	in	4.625	5	6.5	7	8	9	10.5	11.5	13
H	mm	117	127	165	178	203	229	267	292	330
	in	3.66	4.09	3.82	4.53	5.94	6.46	10.00	11.38	13.23
D	mm	93	104	97	115	151	164	254	289	336
	in	3.94	4.53	6.30	9.06	15.75	15.75	18.11	39.37	59.06
Weight (kg)		2.67	3.11	5.33	8.44	15.56	23.56	41.78	72.89	128.44

Dimensions of 1300-300#

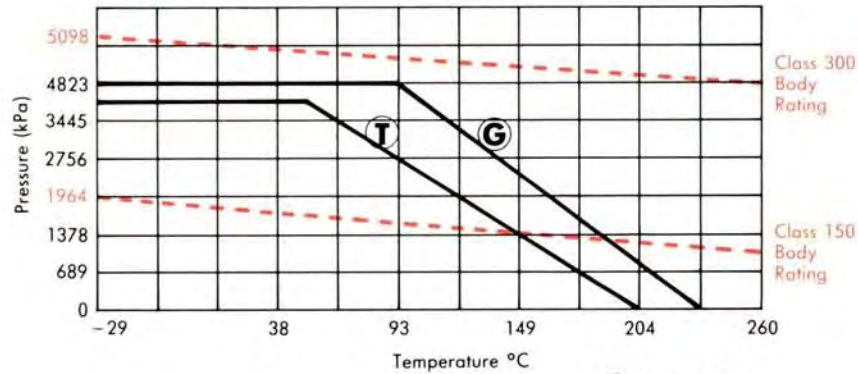
Valve size	in	3/4	1	1-1/2	2	3	4	6	8	10
Bore	mm	20	25	40	50	80	100	150	200	250
	in	0.49	0.67	1.18	1.50	2.28	2.99	4.49	5.67	7.36
L	mm	12.5	17	30	38	58	76	114	144	187
	in	6	6.5	7.5	8.5	11.125	12	15.875	16.5	18
H	mm	152	165	190	216	283	305	403	419	457
	in	3.66	4.09	3.82	4.53	5.94	6.46	10.00	11.38	13.23
D	mm	93	104	97	115	151	164	254	289	336
	in	3.94	4.53	6.30	9.06	15.75	15.75	29.53	39.37	59.06
Weight (kg)		3.11	5.33	8.89	11.56	24.00	47.11	72.44	156.89	172.80

No.	Parts	CF8M	WCB
1	Body	A351 Gr. CF8M	A216 Gr. WCB
2	Insert	A276 Type 316 or A351 Gr. CF8M	A105 or A216 Gr. WCB
3	Stem	A276 type 316	A276 Type 316
4	Ball	A276 Type 316 or A351 Gr. CF8M	A276 Type 316 or A351 Gr. CF8M
5	Ball seat	PTFE (15% GF)	PTFE (15% GF)
6-1	Gland packing (1) Virgin PTFE		(1) Virgin PTFE
6-2	Stem bearing	Reinforced PTFE	Reinforced PTFE
6-3	Thrust washer	Reinforced PTFE	Reinforced PTFE
7	Gland	A276 Type 316 or A351 Gr. CF8	A276 Type 316 or A351 Gr. CF8
8	Primary gasket	PTFE	PTFE
9	Handle	Ductile iron	Ductile iron
10	Gland bolt	A 193 Gr. B8	A 193 Gr. B8
11	Snap ring	A276 Type 301	A276 Type 301
12	Stopper	A276 Type 304	A276 Type 304

Note (1): For Fire-Safe Design Gland Packing is Graphite

Dimensions of Actuator Mounting Pads for Two-piece, Class 150/300#, Full Bore Split Body Ball Valves

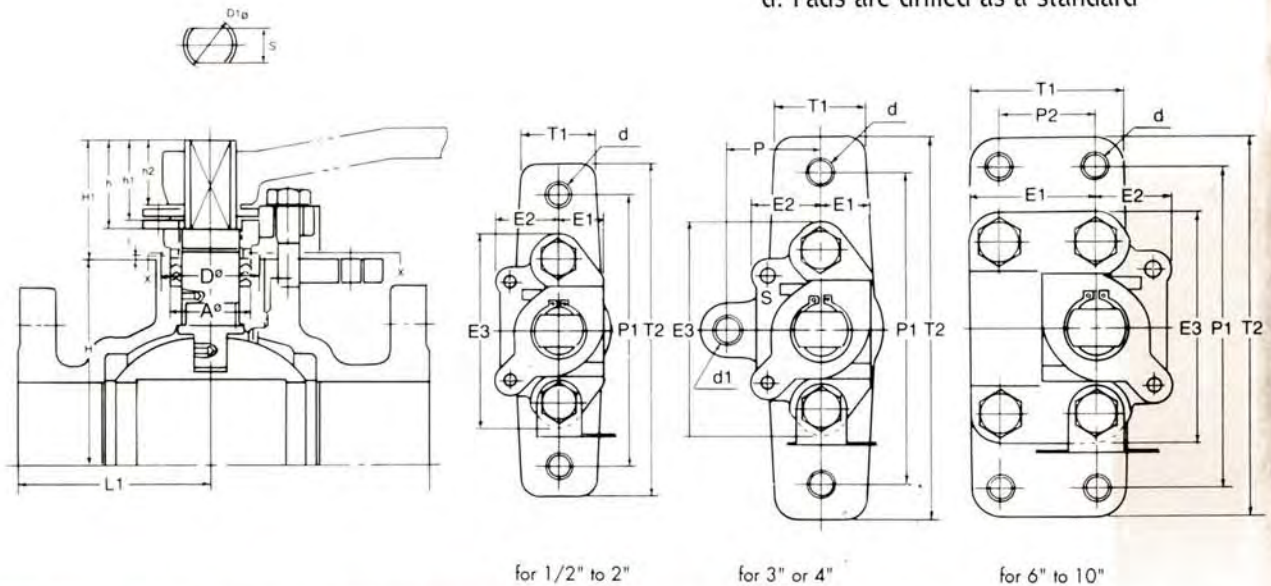
PRESSURE/TEMPERATURE RATING, PTFE SEATS



Note: Reduced Pressure/Temperature rating applies to valves 150mm and larger, refer AUSTRAL sales office

- T** Virgin PTFE
- G** Glass Filled PTFE

d: Pads are drilled as a standard



Nominal Size	H	H1	-0.1 -0.2 D ϕ	t	h	h1	h2	-0.05 -0.10 0 D1 ϕ	S	P	P1	P2	A ϕ	L1				d				
														#2150	#2300	E1	E2	E3	T1	T2	M thread	UNC thread
1/2	33	31.5	24	2	23	19	14	8	12	-	72	-	19	42	43	15	20	55	21	92	M6	1/4-20 UNC
3/4	36	31.5	24	2	23	19	14	8	12	-	72	-	19	47	46	15	20	55	21	92	M6	1/4-20 UNC
1	43	36	30	2	25	22.5	16.5	10	15	-	90	-	24	50	52	19	23	68	25	110	M8	5/16-18 UNC
1-1/2	59	45.5	40	2	32	26.5	22	14	21	-	114	-	32	67	67	25	26	85	34	138	M10	3/8-16 UNC
2	66	45.5	40	2	32	26.5	22	14	21	-	114	-	32	74	77	25	26	85	34	138	M10	3/8-16 UNC
3	100	57	48	2	42	36.5	30.5	17	26	42	134	-	40	95	100	24	33.5	101	41.5	160	M12	7/16-14 UNC
4	123	72	58	2	54	47	40.5	23	35	54	160	-	50	110	112.5	32	40	122	50	192	M16	5/8-11 UNC
6	168	85	70	2	67	58	51	27	40	-	174	55	58	197	197	73	45.5	134	91	210	M16	5/8-11 UNC
8	208	96	78	2	74	65.5	58	32	48	-	184	60	66	228.5	228.5	78	49	143	96	220	M16	5/8-11 UNC
10	268	106	92	2	82	73	66.5	40	58	-	216	75	78	266.5	266.5	96	57	167	117	258	M20	3/4-10 UNC



AUSTRAL - POWERFLO SOLUTIONS

National Hotline: 1300 658 701