

Austral Stainless Steel Ball Valve

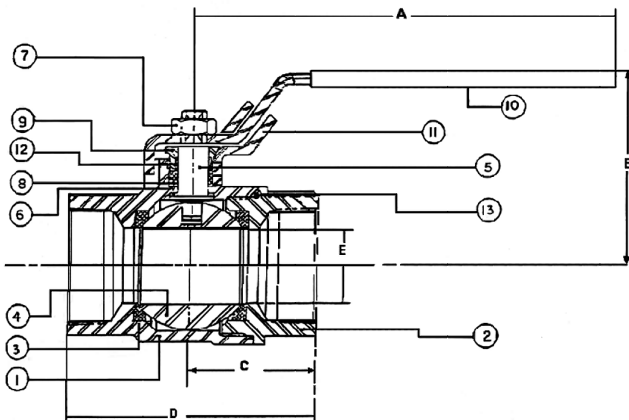
Fig G2R



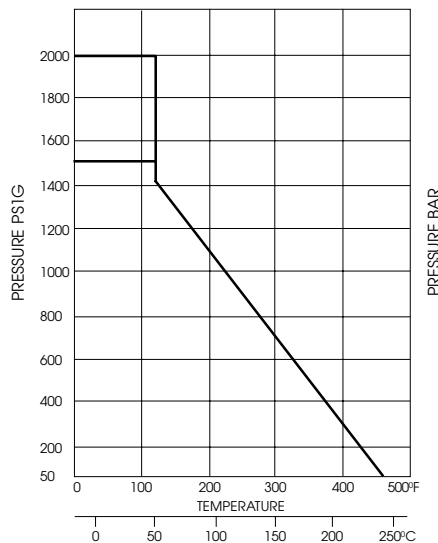
**Investment Cast
Screwed Ends**

**SIZES: 8 mm-25mm: 13800kPa; W.O.G
32mm-50mm: 10340kPa; W.O.G**

Australian Gas Association
Approved - Certificate No. 4311



Pressure/Temp Rating - RTFE SEATS



- Austral-Powerflo Solutions has developed this stainless steel ball valve to provide long, reliable isolating service in steel production, LNG, LPG and processing industries at moderate cost.
- Long Life: No lubrication is required for the life of the valve. Austral has designed the valve for a long life cycle.
- Ease of Operation: Just a quarter of a turn is required to turn the valve on and off. Two-way flow eliminates the danger of improper installation. All valves are 100% tested under water at 13800kPa in open and close positions.
- Construction: Austral ball valves have all components investment cast. The stem is designed to prevent blowouts. Regular ports give minimum pressure drop.
- Padlocking Handle: Lock open/lock close.

Nomenclature & Materials

No.	Name of Part	Qty	STAINLESS STEEL MATERIAL & SPEC
1	Body	1	CF8M ASTM-A351
2	End Cap	1	CF8M ASTM-A351
3	Seat	2	RTFE (15% Glass Filled)
4	Ball	1	F316 ASTM-A182
5	Stem	1	S.S
6	Thrust Washer	1	Reinforced Teflon
7	Handle Nut	1	S.S
8	Packing Ring	2	RTFE
9	Packing Bushing	1	S.S.304 ASTM-A582
10	Handle	1	S.S.304
11	Lock open/close	1	S.S.304
12	Pkg Nut Sleeve	1	Teflon
13	Body Seal	1	Teflon

Dimensions (mm)

Metric	8	10-	15	20	25	32	40	50
A	98.0	98.0	98.0	124.0	124.0	140.0	203.0	203.0
B	46.0	46.0	46.0	54.0	57.0	67.0	77.0	82.0
C	29.5	29.5	29.5	38.0	43.0	51.0	55.0	70.0
D	55.0	55.0	57.0	76.0	86.0	102.0	111.0	140.0
E	11.0	12.7	12.7	17.27	22.1	25.4	32.0	38.1

G2R 12/99

SYDNEY

1 Mary Street
Ermington NSW 2115
Tel: (02) 9877 8101
Fax: (02) 9804 6282
aps.syd@powerflo.com.au

BRISBANE

6 Imboon Street
Deception Bay QLD 4508
Tel: (07) 3897 8100
Fax: (07) 3293 4261
aps.qld@powerflo.com.au

PERTH

Unit 1/24 Tacoma Circuit
Canning Vale WA 6155
Tel: (08) 9456 9600
Fax: (08) 9350 6644
aps.wa@powerflo.com.au

MELBOURNE

Lvl 3, Bldg 4
48/195 Wellington Road
Clayton VIC 3168
Tel: (03) 8541 7888
Fax: (03) 8541 7899
aps.vic@powerflo.com.au

NEW ZEALAND

2/6 Findlay Street
Ellerslie, Auckland NZ 1005
Tel: (64 9) 525 5454
Fax: (64 9) 579 3106
Mob: (64 2) 176 4053
salesnz@powerflo.co.nz

